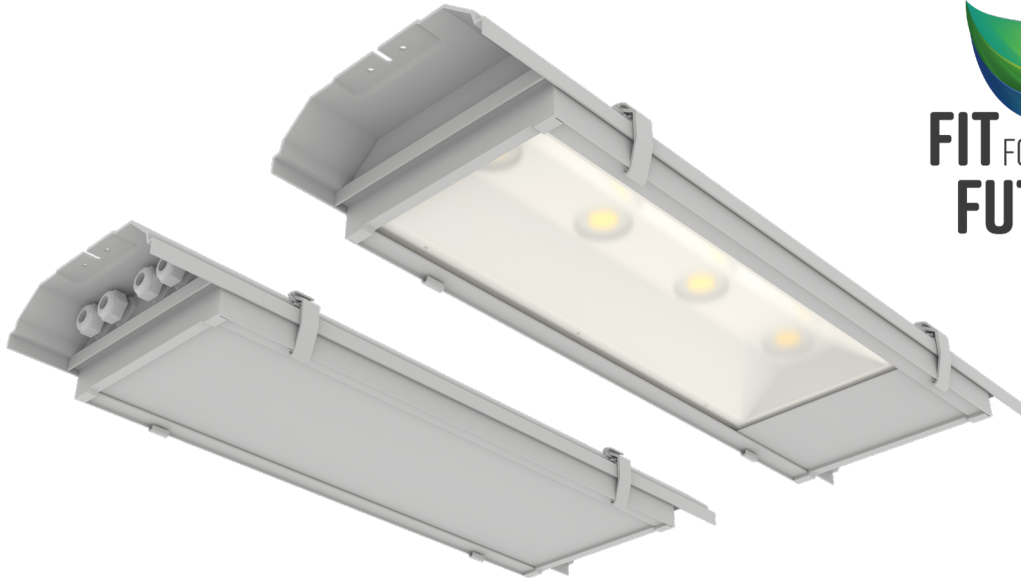




I-VALO HITE LED®
SPECIAL LUMINAIRE
FOR HIGH TEMPERATURES

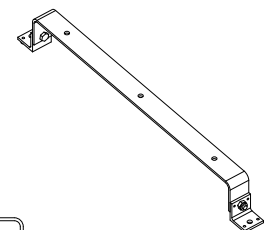
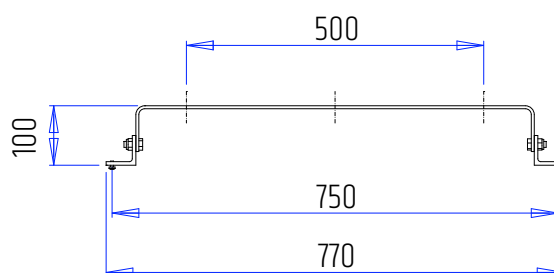
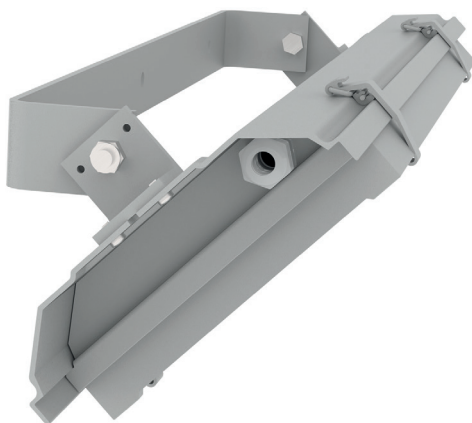


A LED luminaire for extreme temperatures

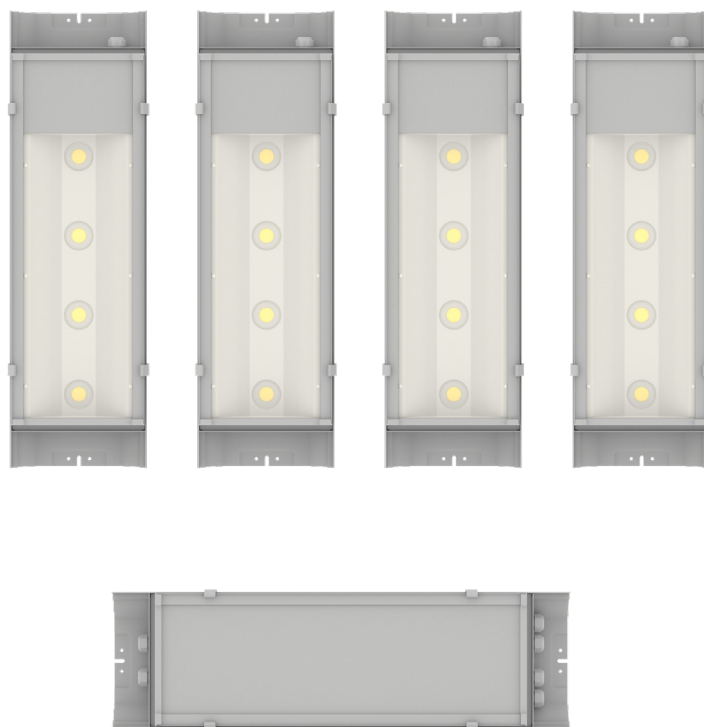
I-VALO HITE LED is a robust Finnish LED luminaire that withstands extremely high temperatures; the ambient temperature for the light module is an outstanding $+110^{\circ}\text{C}$. The lighting solution comprises separate light and control modules. The control module, which contains drivers for four light modules, is installed in a space where electronic components are not exposed to extreme conditions ($T_a +45^{\circ}\text{C}$).

The luminaire is specially designed for the high ambient temperatures and humidity levels of industrial processes, such as a paper machine's drying cylinders or a cement factory's cyclone areas.

- Upgradeable LED technology
- Body material: epoxy-coated aluminium
- Cover material: tempered safety glass, frosted
- Gaskets are made of heat-resistant special silicone
- The light module is installed with a separately ordered alignment bar 6066.030.00E (step-less alignment)



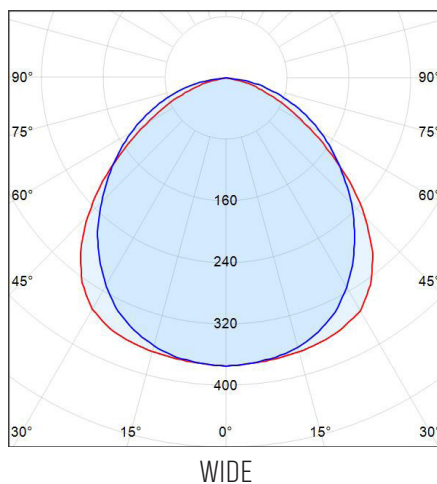
The solution consists of four luminaire modules per control unit. The maximum distance between the control unit and the luminaire module is 50 metres. The maximum ambient temperature for the control unit is +45 °C.

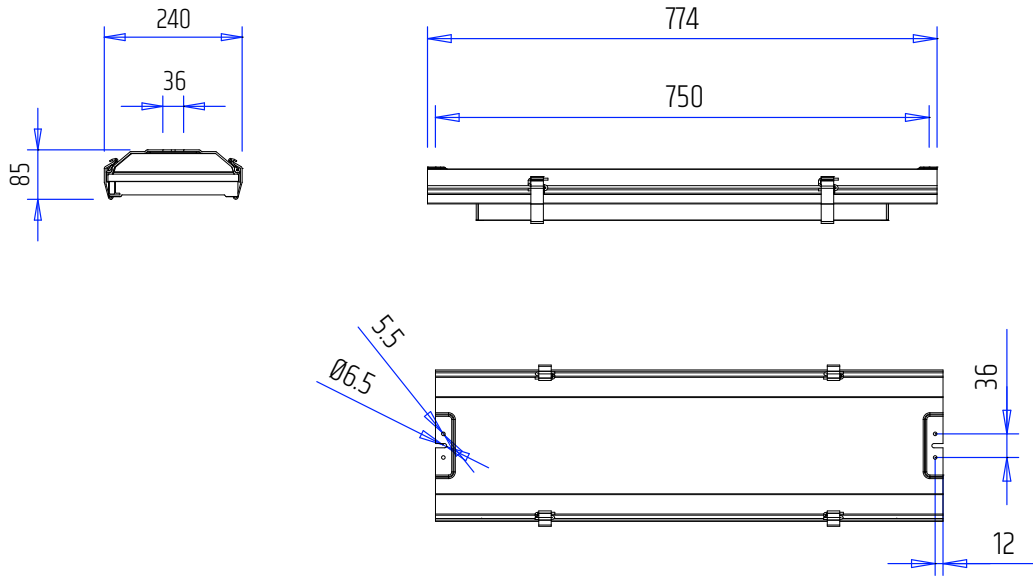


Product numbers

I-Valo product no	Product	Connection	Input power	Weight, kg
6756-X100	Light module	-0 3 x 2.5 mm ²	49 W	7.2
C6756-04A	Control module	-0- 5 x 2.5 mm ² (L, N, PE, DA, DA)	196 W	4.9
6066-030-00E	Alignment bar			0.82

Light distribution





**I-VALO GUARANTEES THE PERFORMANCE VALUES OF THE LUMINAIRE WITHIN THE SPECIFIED TA TEMPERATURE RANGE*
THE VALUES GIVEN IN THE TABLE PERTAIN TO A SOLUTION CONSISTING OF A CONTROL UNIT AND FOUR LIGHT MODULES**

Ta class	min. -40 °C, max. +110 °C (light module), min. -25 °C, max. +45 °C (control unit)
Input power	196 W
Lumen output	24.000 lm (6.000 lm per light module)
Luminous efficacy	122 lm/W
Colour temperature	4.000 K
Colour rendering index	Ra >80
MacAdam value	3 SDCM
Enclosure rating (IP)	IP65
IK class	IK08
Light distribution	Wide
Cover glass material	Tempered, frosted safety glass
Body material	Epoxy-coated aluminium
Connection	Light module - 0 3 x 2.5 mm ² , control module - 0 5 x 2.5 mm ²
Control	DALI
Frequency	50 Hz
Inrush current	4 x (29A 155µs) I _{peak} (A) Δt @ I _{peak} = 50% (s)
Mains current	0.86 A
Voltage	220-240 V
Power factor	0.96

*) Maximum ambient temperature (Ta class) for which the luminaire is classified and in which the specified technical values apply. However, the **operating temperature range of the luminaire is wider than the specified Ta value**. The ambient temperature affects e.g. the light flux and lifetime of the luminaire.