

CADOR SLIM LINE

IP65

CE



The Cador Slim Line is the ideal replacement for traditional individual fluorescent luminaires. It is a luminaire with a simple design and high light output.

The integrated optics provide perfect light distribution. The aluminium casing with its good heat dissipation makes for a long lifespan.

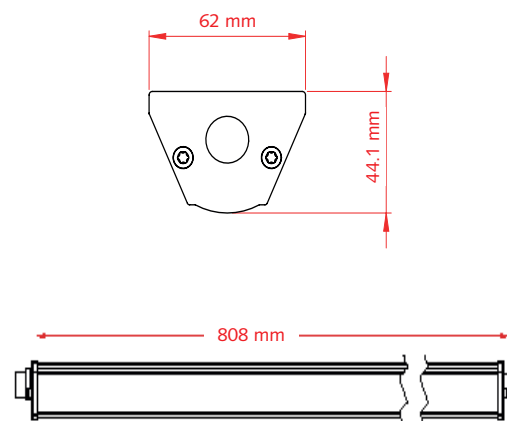
With its high impact resistance (IK10) the Cador Slim Line is ideal for highly trafficked areas such as corridors and stairwells. It can also be used to supplement a linear lighting system, for example in maintenance areas.



Technical information

Output flux	4,600 - 9,100 lm
Wattage	35 - 45 - 65 W
Lumen / Watt	126 - 157 lm/W
Voltage	220 - 240 V
Frequency	50 - 60 Hz
Power factor	>0.9
Drivers	Osram
Operational temperature	-25 °C to +35 °C
Weight	1 kg
Application	Offices, parking areas and corridors
Installation height	2 - 6 m
Colour temperature	4,000 K
Colour Rendering Index (CRI)	>80
Lens options	Lambertian
Cover material	Polycarbonate
Material	Anodized aluminium
Colour consistency (SDCM)	3
Dimmable	Optional (DALI)
Impact resistance	IK10 (Diffuse only IK07)
IP code	IP65
Options	DALI and CLO
Warranty	L85B10 / at least 5 year warranty / Ta 35 °C
Lifespan	It is possible to reach 100,000 hours
BREEAM	Yes
Ballproof	No

Measurements



On the initial performance, a tolerance of $\pm 10\%$ is applicable, according to IEC. Technical data subject to change.

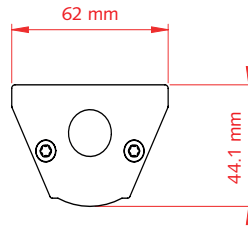
CADOR SLIM LINE LAMBERTIAN



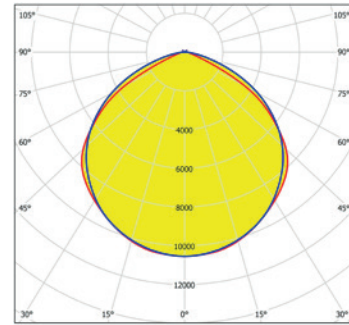
Luminaire



Measurements



Polar diagram



Order code IP65	Wattage (W)	Output flux (lm)	Lumen/Watt
VSL-LE08-10-840-01-i	35	4,600	131
VSL-LH08-10-840-01-i	35	5,500	157
VSL-LE08-10-840-04-i	45	5,650	126
VSL-LH08-10-840-56-i	65	9,100	140

On the initial performance, a tolerance of $\pm 10\%$ is applicable, according to IEC. Technical data subject to change.