



i VALO

LED HIGHBAY
I-VALO XENRE®



T_a 80°C

IP66
IP65

IK08

L80
100,000h

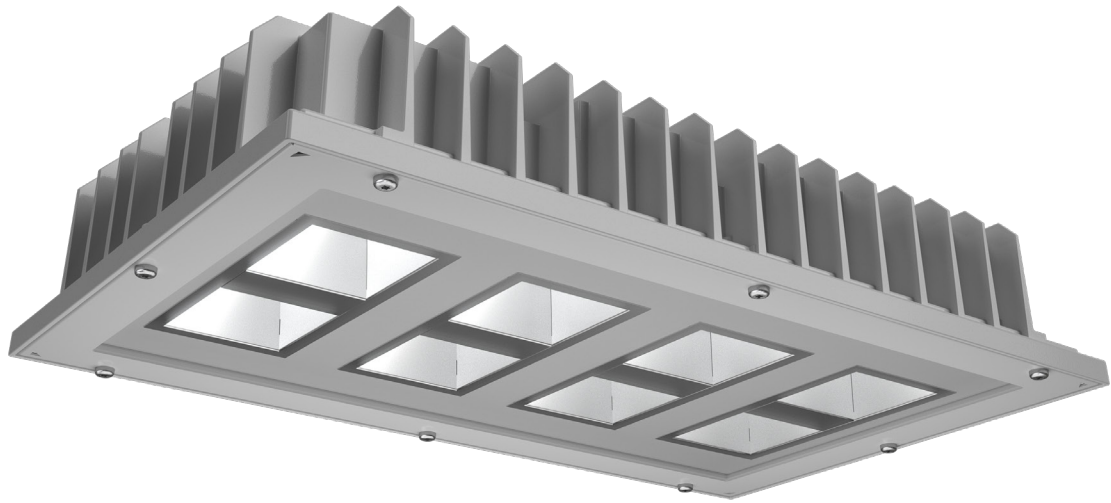
4000 K



RAL
7047

Ra80

3 SDCM



**I-VALO GUARANTEES
PERFORMANCE VALUES OF THE LUMINAIRE
WITHIN THE SPECIFIED TA TEMPERATURE RANGE**

I-VALO XENRE®

Light source	LED COB
Ta class	-40 °C... +80 °C (varies between models)
Input power	85 W - 584 W
Lumen output	12,200 lm - 67,800 lm
Colour temperature	4000 K
MacAdam value	3 SDCM
Efficacy of the luminaire	Up to 147 lm/W
Ingress protection	IP66 (with GORE filter), IP65 (with other I-Valo filters)
Light distributions	Medium wide, wide
Cover material	Tempered safety glass (clear or frosted) or polycarbonate (PC)
Body material	Polyester-coated cast aluminium, louvre frame made of coated sheet steel
Standard connections	Cable with a plug 1.5 m or cable 4.0 m. Other connections on request.
Control	DALI-2 or ON/OFF
Frequency	0/50/60 Hz
Voltage	220 - 240 V
Weight	~ 8 kg

A photograph of a large industrial facility with a high ceiling. Several long, rectangular LED highbay luminaires are mounted on the ceiling, emitting bright light. The ceiling is made of white acoustic panels with circular recessed lights. The walls are also white and feature various pipes and conduits. The overall atmosphere is clean and professional.

A robust top-quality LED luminaire for high installation heights

I-Valo specializes in designing and manufacturing luminaires which withstand demanding industrial conditions. XENRE LED highbay luminaire is suitable for high industrial applications that demand particular durability of the luminaire. Typical locations for XENRE include metal industry, machine shops, pulp and paper mills, sawmills, the wood processing industry, warehouses etc. With a polycarbonate closing cover, XENRE is also suitable e.g. for food and beverage industry.

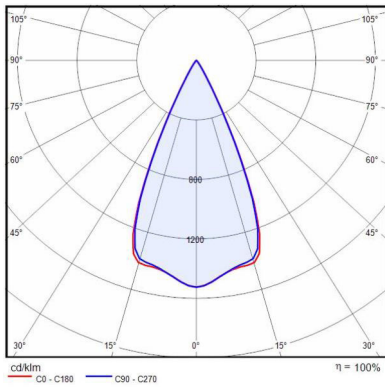


Product options

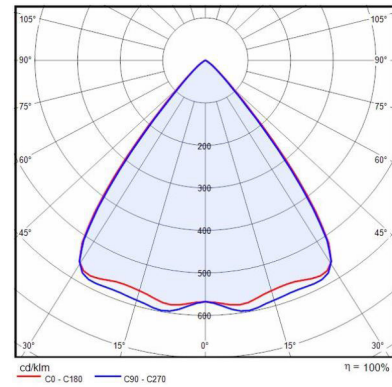
XENRE luminaire is available with different closing covers, different mounting brackets and also with several alternative filters. This flexible luminaire family offers a solution for various ambient requirements.

- Closing cover: glass (clear or frosted) or polycarbonate
- Wide range of different mounting brackets, see page 13
- Filters: GORE filter, dust filter, plastic covered dual-effect filter, metal covered dual-effect filter
- Light distributions: medium wide, wide

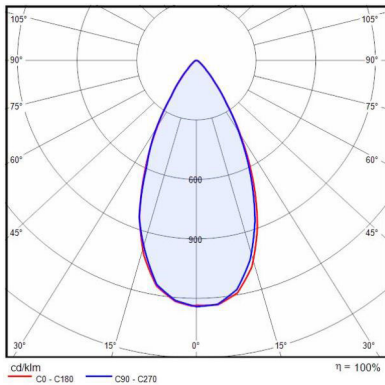
Light distribution



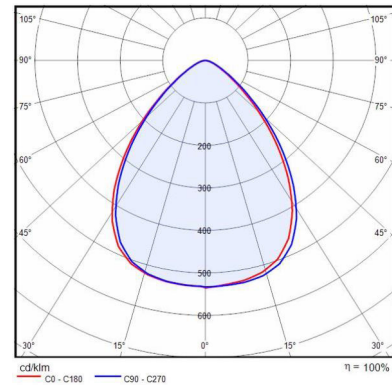
MEDIUM WIDE
(COVER WITH CLEAR GLASS OR PC)



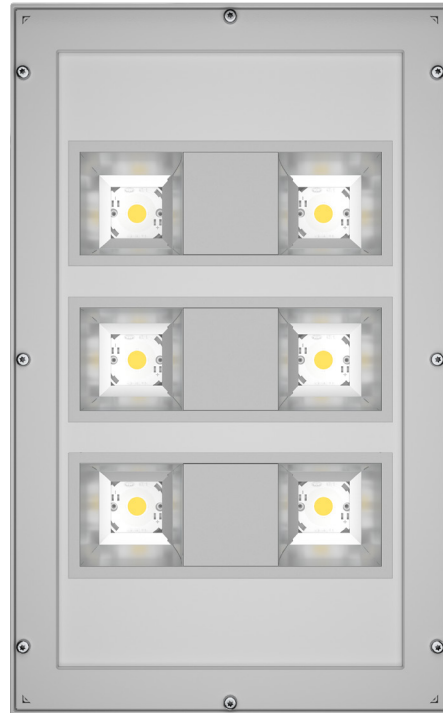
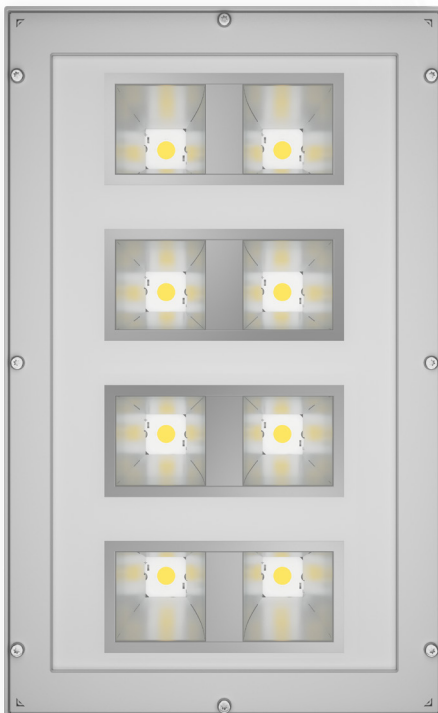
WIDE
(COVER WITH CLEAR GLASS OR PC)



MEDIUM WIDE
(COVER WITH FROSTED GLASS)



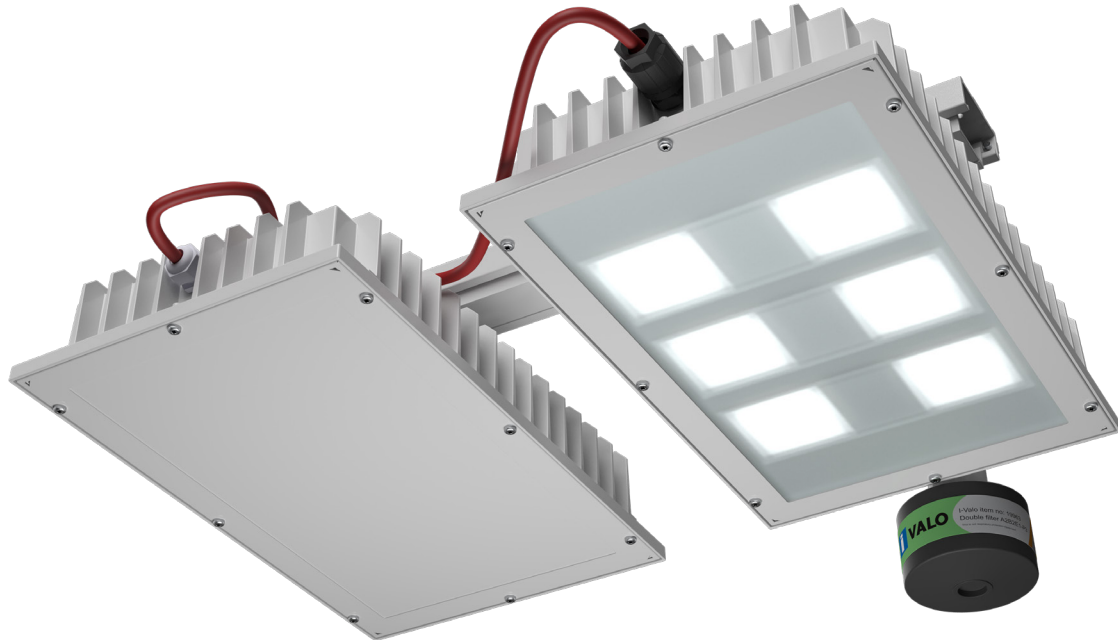
WIDE
(COVER WITH FROSTED GLASS)



XENRE60, XENRE70

XENRE TA 60°C AND TA 70°C WITH A SEPARATE CONTROL MODULE

Up to 33,900 lm

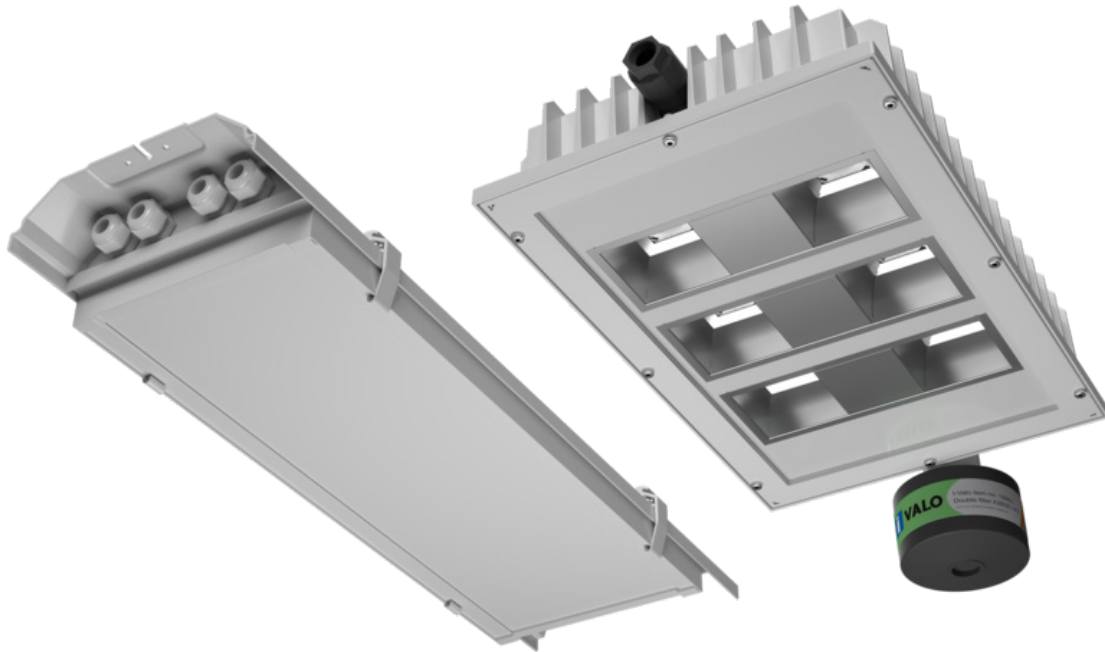


- A XENRE lighting solution with an excellent light output for high spaces
- LED drivers are located in a separate control unit
- The solution includes the X220 bracket, which allows the luminaire and control modules to be loosened separately for maintenance
- The luminaire module is equipped with a fast connection system
- The filter for the luminaire module can be selected from a broad range of filters, the control module is equipped with the GORE filter
- The solution is an ideal choice for industrial facilities, such as pulp and paper mills, steel plants and foundries
- In the renovation of facilities with discharge lamp luminaires, the existing installation points can be utilised

Product options

- Cover glass: tempered safety glass (clear or frosted), polycarbonate
- Filter options for the luminaire module: GORE filter, dust filter, plastic covered dual-effect filter, metal covered dual-effect filter
- Light distribution: medium wide (8COB), wide (6COB)
- Several connection options. Standard connections: 1.5 m cable with a plug and 4.0 m cable. We are more than happy to provide information on other options.

Up to 18,700 lm



- A XENRE lighting solution with an excellent light output for high ambient temperatures
- Comes with a separate control module, which is installed in a cooler space (max. Ta +60 °C), no more than 25 metres from the luminaire module
- A cable for connecting the luminaire module to the control module is not included in the delivery
- The control module is easy to open and the LED drivers can be replaced if necessary
- For each control module, one or two luminaire modules can be installed
- Mounting brackets must be ordered separately, see 13

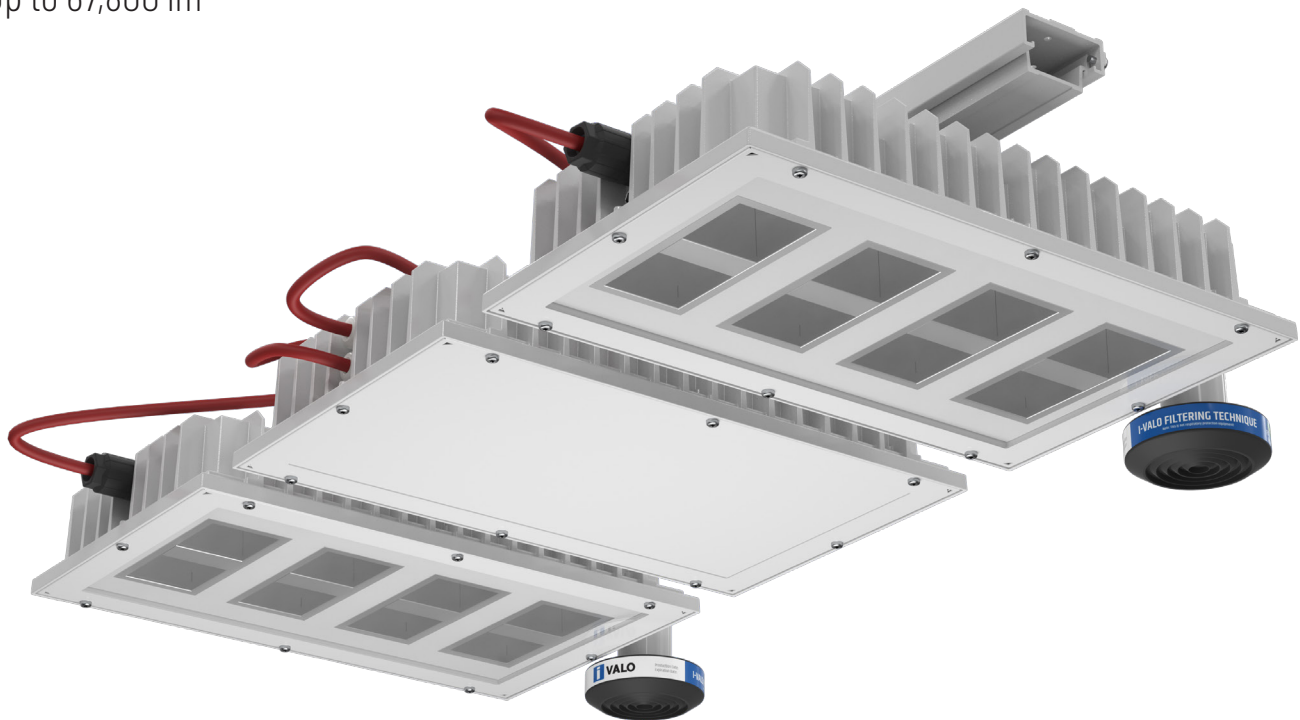
Product options

- Cover glass: tempered safety glass (clear or frosted), polycarbonate
- Filter options for the luminaire module: GORE filter, dust filter, plastic covered dual-effect filter, metal covered dual-effect filter
- Light distribution: medium wide (8COB), wide (6COB)
- A wide range of mounting brackets, see 13

XENRE XL

XENRE TA 60°C WITH TWO LUMINAIRE MODULES AND A SEPARATE CONTROL MODULE

Up to 67,800 lm



- The XENRE XL range is specifically designed for high spaces where the installation height is about 12–30 m
- The solution includes two luminaire modules and a control unit on an X330 mounting rail (included in the delivery)
- The X330 mounting bracket allows the luminaire and control modules to be loosened separately for maintenance
- The luminaire modules are equipped with a fast connection system
- The filter for the luminaire module can be selected from a broad range of filters
- The control module is equipped with the GORE filter

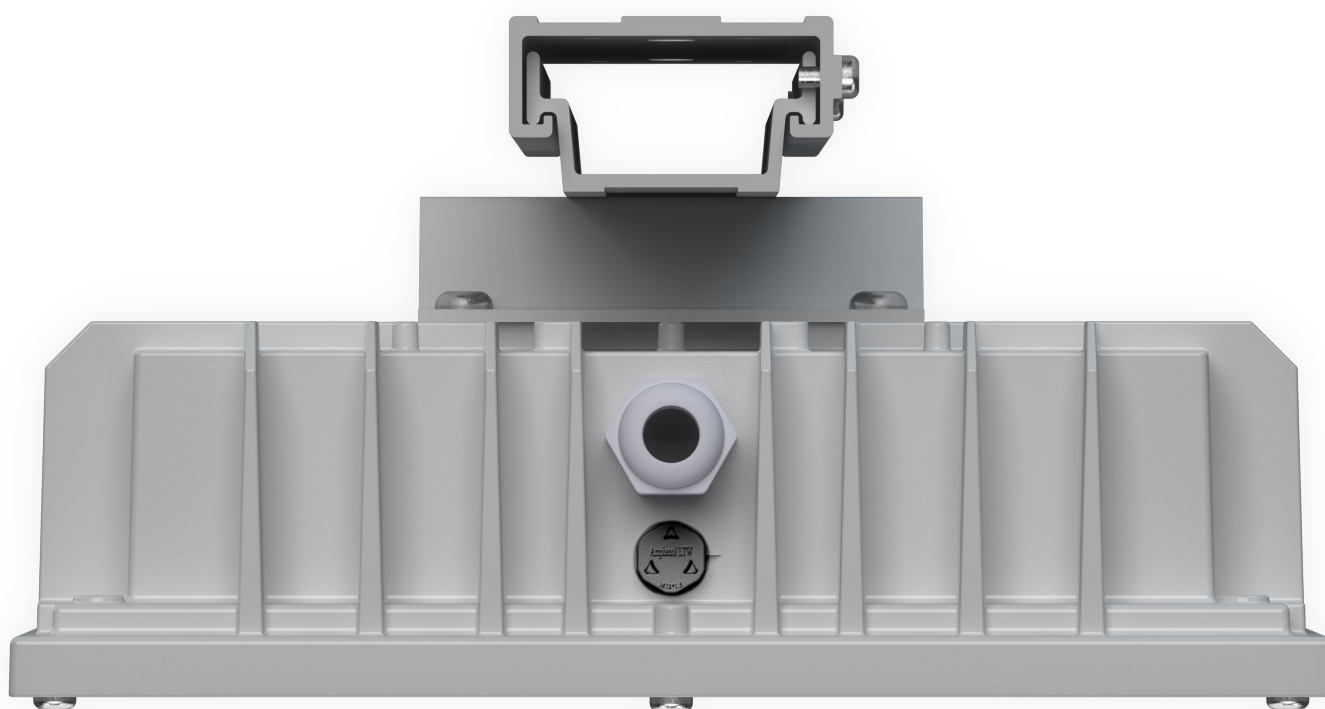
Product options

- Cover glass: tempered safety glass (clear or frosted), polycarbonate
- Filter options for the luminaire module: GORE filter, dust filter, plastic covered dual-effect filter, metal covered dual-effect filter
- Light distribution: medium wide (8COB), wide (6COB)
- Several connection options. Standard connections: 1.5 m cable with a plug and 4.0 m cable. We are more than happy to provide information on other options.

I-VALO filtering technique

As with all I-Valo luminaires, the XENRE too is equipped with an I-VALO FILTERING technique that guarantees a long product life by purifying the pressure balancing air flowing into the luminaire. Thus, the luminaires' inner parts remain clean and the luminaire retains its luminosity even in difficult conditions.

In addition to the small GORE filter, XENRE can also be equipped with bigger filters with larger filtering surfaces. I-VALO double-effect filters (a dustfilter + charcoal filter) effectively filter out hazardous vapours and corrosive gases from the air, e.g. in animal shelters and wastewater treatment plants.

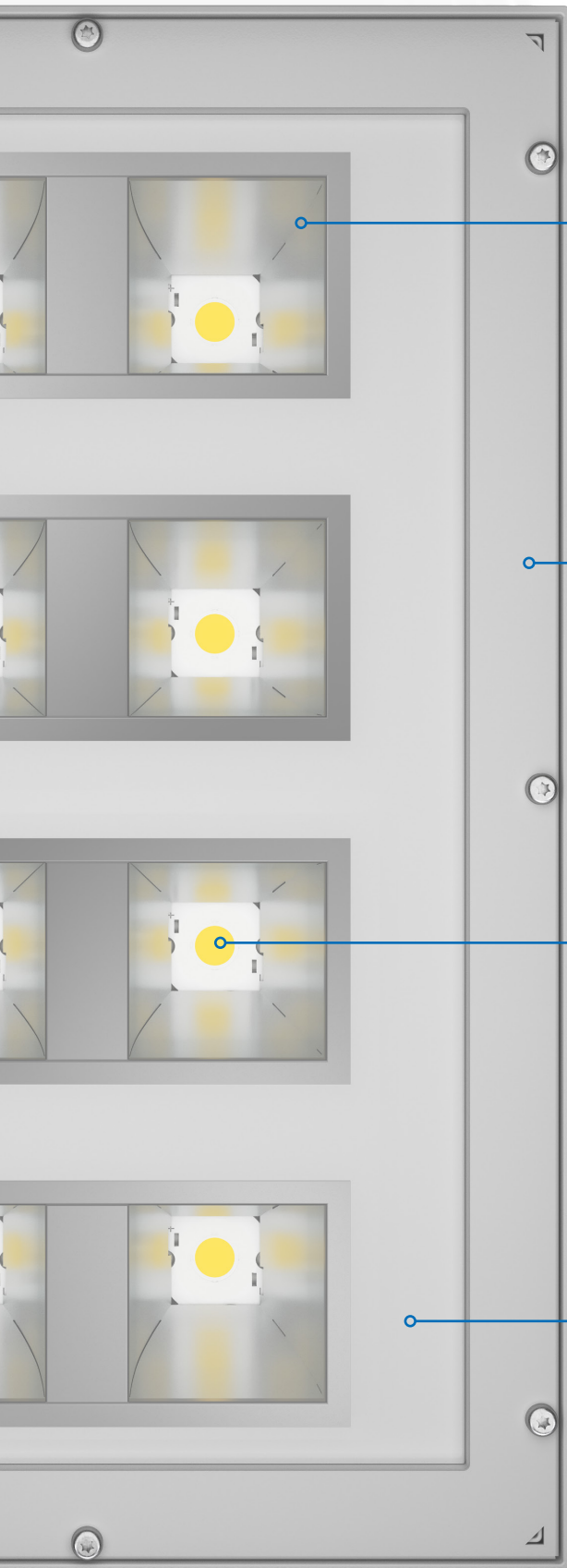


IP66 with GORE filter

luminaire is suitable for both indoor and outdoor installations.

The larger filters (IP65) used in more demanding environments with more impurities in the air are replaceable. Those filters can be changed according to maintenance recommendations and thus ensure the luminaires' efficacy and luminosity during its long lifecycle.

Technical characteristics



OUTSTANDING OPTICS & EXCEPTIONAL GLARE CONTROL

- > even light distribution with symmetrical reflectors made of semi-gloss metallised aluminium
- > optimal COB placement minimizes glare
- > suitable for high installation heights

HIGH QUALITY TPE-RUBBER GASKETS

- > sealing material with good chemical resistance
- > tight luminaire equipped with an efficient filtering technique (IP66 with GORE filter)
- > luminaire's inner parts stay clean and delicate LED chips stay intact

EXCELLENT HIGH QUALITY LED COB'S

- > LED's have a good binning rate
- > stable and homogeneous light from the LED chips meaning only a slight deviation of performance between chips

VERSATILE CLOSING COVER OPTIONS

- > Closing cover available with tempered safety glass (clear or frosted) or polycarbonate (PC)
- > Can be selected according to the ambient requirements

Cutting edge quality made in Finland

ROBUST STRUCTURE

- > luminaire body from die-cast aluminium
- > stainless steel screws
- > excellent mechanical strength

POLYESTER FINISH

- > effectively protects the luminaire from corrosion
- > I-Valo's paint coating system's corrosivity category is **C5** (based on standard ISO 12944-6)
- > slick surface is easier to clean
- > better resistance to UV exposure

EFFECTIVE COOLING ELEMENT

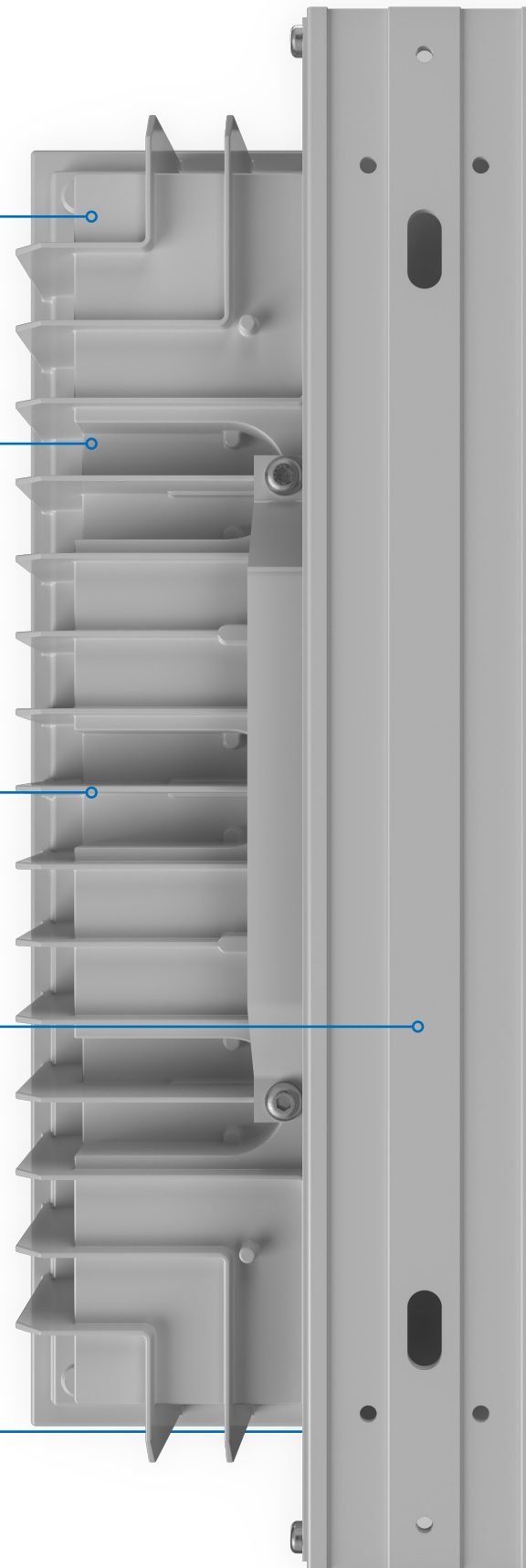
- > clever mechanical design without dust-accumulating slots
- > good air flow between the luminaire and the bracket

ROBUST & STEADY INSTALLATION BRACKET (ordered separately)

- > same bracket type as used with traditional **I-VALO REGULAR** and **HORIZONTAL/SUPER** highbay luminaires, which brings special advantages when existing luminaire positions are to be retained in renovation projects
- > same high-quality material and finish as the luminaire

I-VALO FILTERING TECHNIQUE

- > may be selected according to application requirements
- > balances the pressure and air flow
- > keeps the inside of the luminaire clean
- > **ENSURES A LONG PRODUCT LIFE**





I-VALO QUALITY - THE BEST THERE IS

- Products made of [the finest high-quality components](#)
- [High-class finish](#) - assembled with top quality workmanship in Finland
- [Long product lifecycle](#) - a famous I-VALO FILTERING technique ensures the [permanence of luminosity over time](#)
- Long lifespan along with the [energy efficiency](#) and the luminaire's [mechanical strength](#) result in [inexpensive operating costs](#)
- [Versatile mounting possibilities](#) with a wide selection of mounting brackets

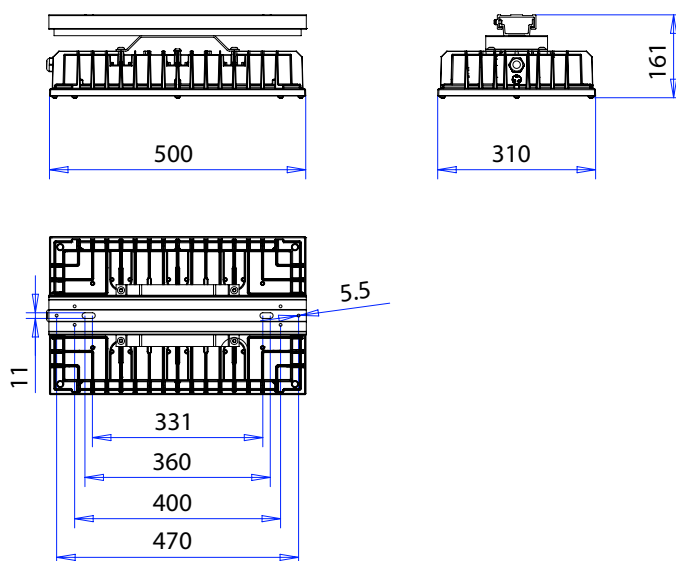
XENRE® Installation brackets

(ORDERED SEPARATELY)

Item No	Bracket
X100	Mounting rail for one XENRE luminaire
X101	Adapter for mounting rail of Horizontal/Regular luminaire (short)
X102	Adapter for the XENRE luminaire to be installed in the mounting rail of an old REGULAR or HORIZONTAL luminaire manufactured before the 1990's
X103	Adapter for installing two XENRE modules on the 6083 mounting rail of I-Valo's conventional highbay luminaires.
X104	Adapter for installing one XENRE luminaire on the VEGA range's B100 mounting rail
X104-2	Adapter for installing two XENRE luminaires on the VEGA range's B100 mounting rail
X110	Wall bracket
X111	Pipe bracket
X112-1000	Suspension rod 1000mm
X113	Suspension bracket with one-point fastening
X904	Suspension bracket with two-point fastening with carabiners
X114	Pole bracket
X120	Floodlight bracket without base plate
X121	Floodlight bracket with base plate
X122	Floodlight bracket with base and vibration dampers
X123	Floodlight bracket with pipe fixing
X220	Mounting rail for two XENRE modules (included in the delivery for the XENRE60 & XENRE70 luminaires)
X330	Mounting rail for three XENRE modules (included in the delivery for the XENRE XL luminaire)
X440	Mounting rail for four XENRE modules
X660	Mounting rail for six XENRE modules
The brackets listed below also require either X100 or X220 rail	
6060	Wall bracket
6079	Wire bracket

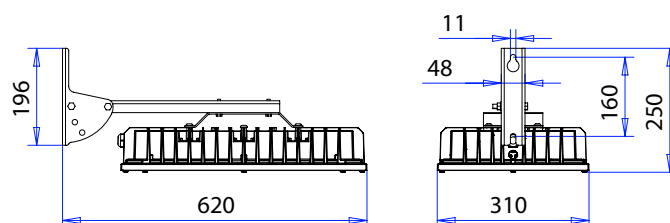
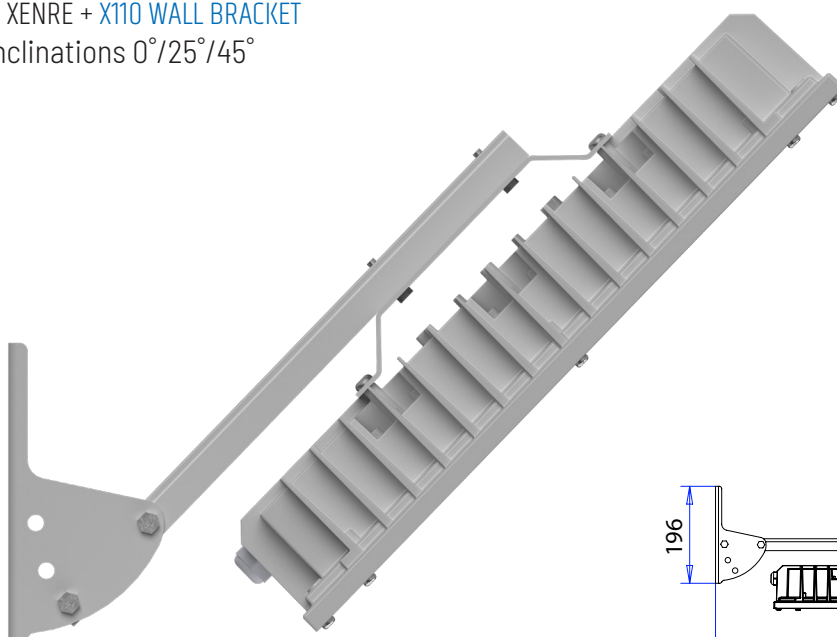
Dimensions

I-VALO XENRE + X100 MOUNTING RAIL



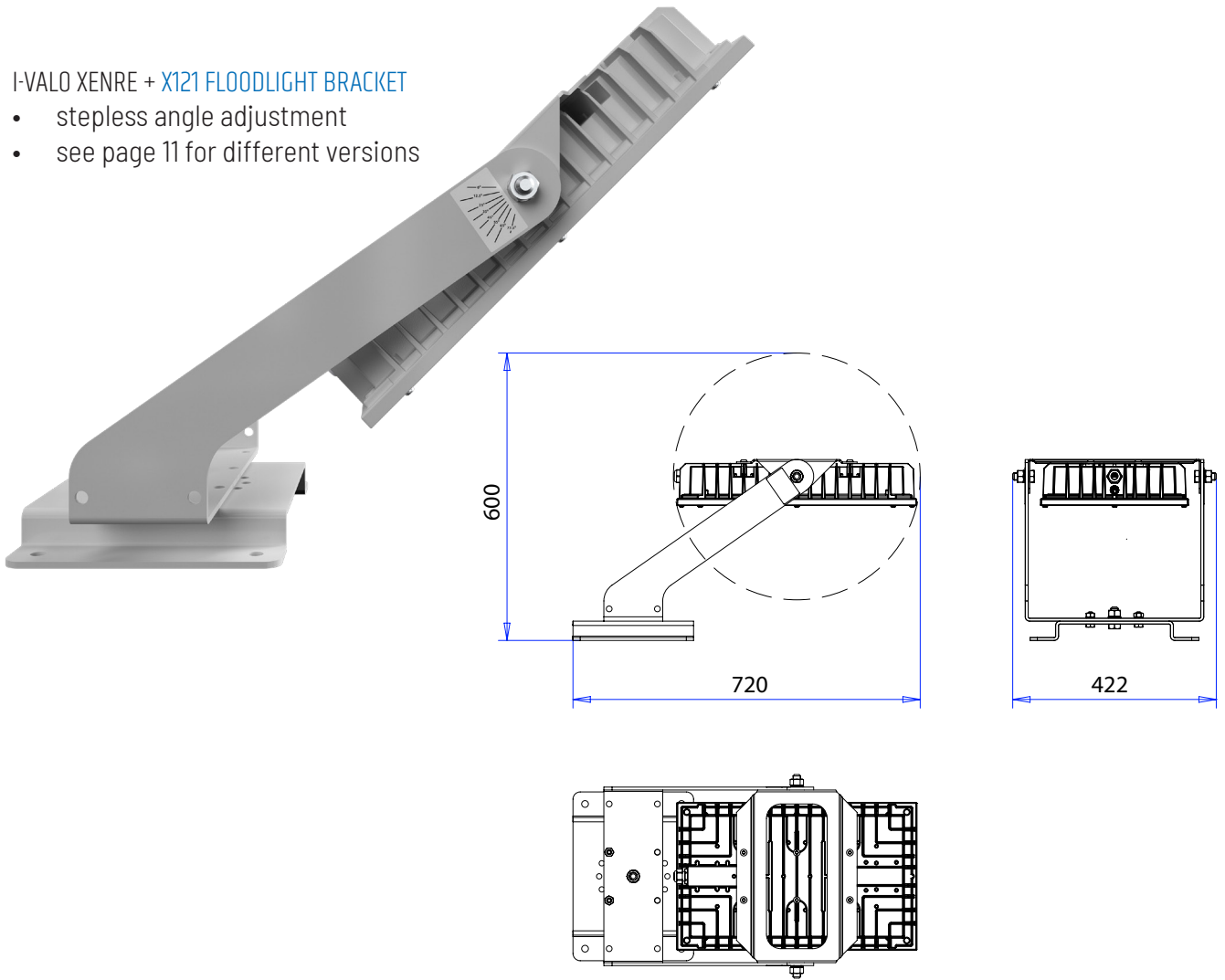
I-VALO XENRE + X110 WALL BRACKET

- inclinations 0°/25°/45°

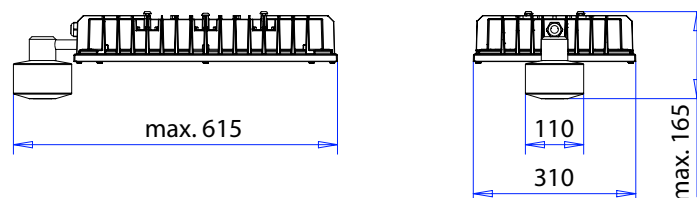
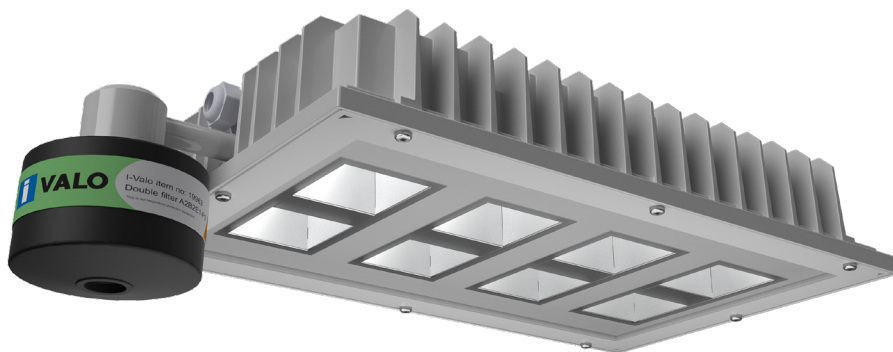


I-VALO XENRE + X121 FLOODLIGHT BRACKET

- stepless angle adjustment
- see page 11 for different versions



I-VALO XENRE + DOUBLE-EFFECT FILTER





14500 Iittala, FINLAND
Tel. +358 (0)10 501 3000
info@i-valo.com



A Fagerhult Group Company

www.i-valo.com

29.02.2024