



i VALO

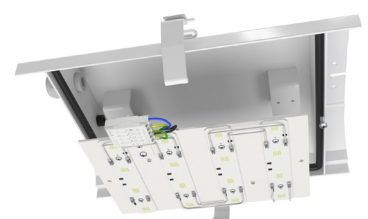
LED LOWBAY LUMINAIRE
I-VALO DANI®

A compact, upgradeable LED luminaire for low, industrial spaces

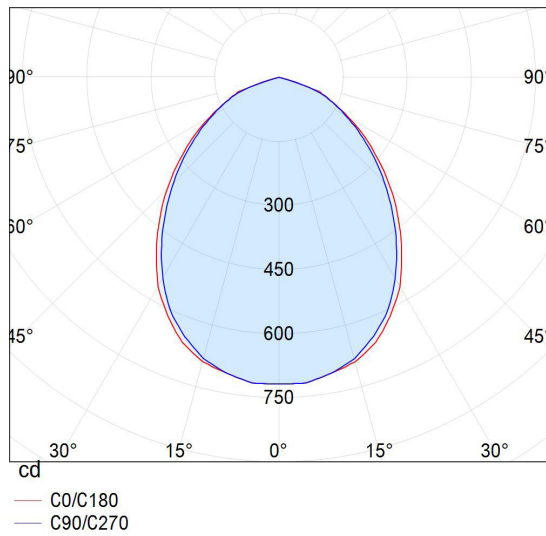


The DANI luminaire is designed for low spaces, such as technical facilities, maintenance premises, low-ceilinged corridors, staircases and maintenance bridges. The luminaire's LED components are easy to replace. Despite its small size, the luminaire is robust, mechanically stable and well suited to challenging industrial conditions. The body is made of corrosion-resistant, coated aluminium and the cover glass is made of acrylic sheet with satin finish on both sides, ensuring excellent anti-glare and light-diffusion properties. The luminaire is equipped with I-Valo's filtering technology.

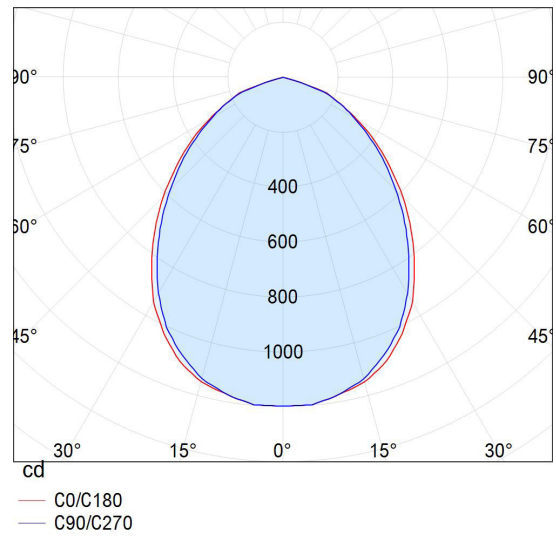
- Cover glass: satin acrylic sheet
- Body: polyester-coated aluminium, with an easy-to-open cover
- LED technology: replaceable LED technology package, easy to replace, fixed with two screws
- Filter: PTFE
- Connection: fixed connection -0- 5 × 2.5 mm² or 1.5 m cable and Schuko plug. If necessary, you can contact our sales team and enquire about other connection methods.
- Installation: Can be mounted directly on a ceiling or rail without a separate bracket. You can also utilise the wide range of brackets offered by I-Valo.



Light distribution

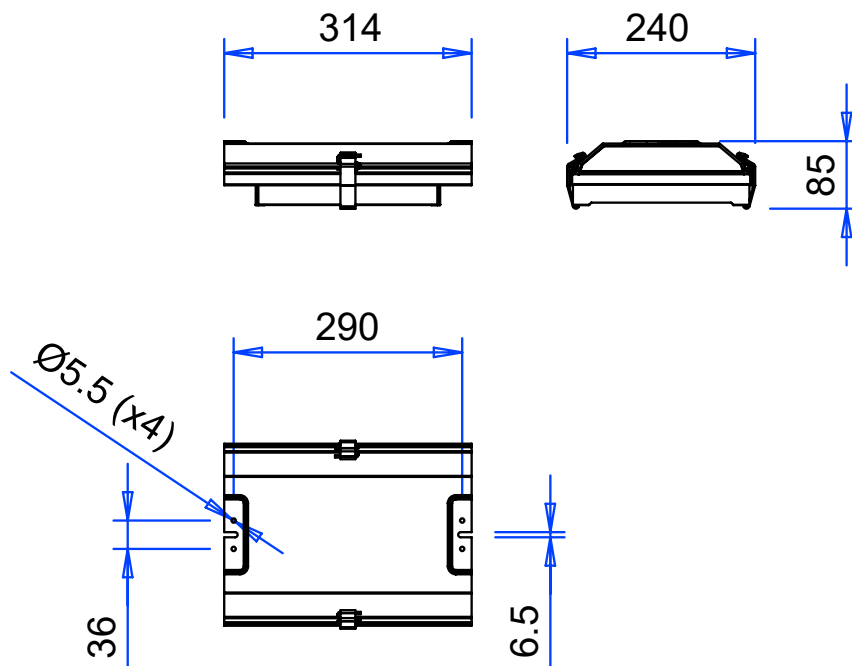


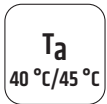
WIDE LIGHT DISTRIBUTION, ACRYLIC
DV01X 12 W



WIDE LIGHT DISTRIBUTION, ACRYLIC
DV02X 20 W

Dimensions





Technical details

I-VALO GUARANTEES PERFORMANCE VALUES OF THE LUMINAIRE WITHIN THE SPECIFIED TA TEMPERATURE RANGE*



The product entity shown in the picture:
• DANI luminaire
• I-VALO POLE: PP30T00, folding 3.0 m
• Wall bracket 6061

Ta class	-25 °C...+45 °C (12 W), -25 °C...+40 °C (20 W)
Input power	DV01X: 12 W, DV02X: 20 W
Luminous flux of the luminaire	DV01X: 1,500 lm, DV02X: 2,500 lm
Enclosure rating (IP)	IP65
Colour temperature	4,000 K
Colour rendering index	Ra >80
MacAdam value	3 SDCM
IK class	IK07
Light distribution	Wide
Cover glass material	Acrylic sheet with satin finish on both sides
Body material	Polyester-coated aluminium
Corrosivity category of the coating	Suitable for environments classified as C5/very high corrosivity
Connection options	Fixed connection -0- 5 × 2.5 mm ² Cable 1.5 m and Schuko plug (1.5 mm ²)
Control	ON/OFF
Frequency	0/50/60 Hz
Start-up	16 A
Start-up duration (µs)	229
Voltage	220-240 V
Weight	approx. 2.2 kg
Warranty	5 years

*) Maximum ambient temperature (Ta class) for which the luminaire is classified and in which the specified technical values apply. However, the **operating temperature range of the luminaire is wider than the specified Ta value**. The ambient temperature affects e.g. the light flux and lifetime of the luminaire.