



I-VALO XENRE INSTALLATION INSTRUCTIONS

1a

1b

0,18 m²

max.
8,7 kg

M6x16 DIN 7380 A4
Max 5,9Nm

4x

2

1~

GNYE	
BU	N
BN	L

3a

1~ + DALI

GNYE	
BU	N
BN	L
BK	D1
GY	D2

3b

1~ + DALI

	PE
N	N
1	L
2	D1
3	D2

3c

PHENIX CONTACT

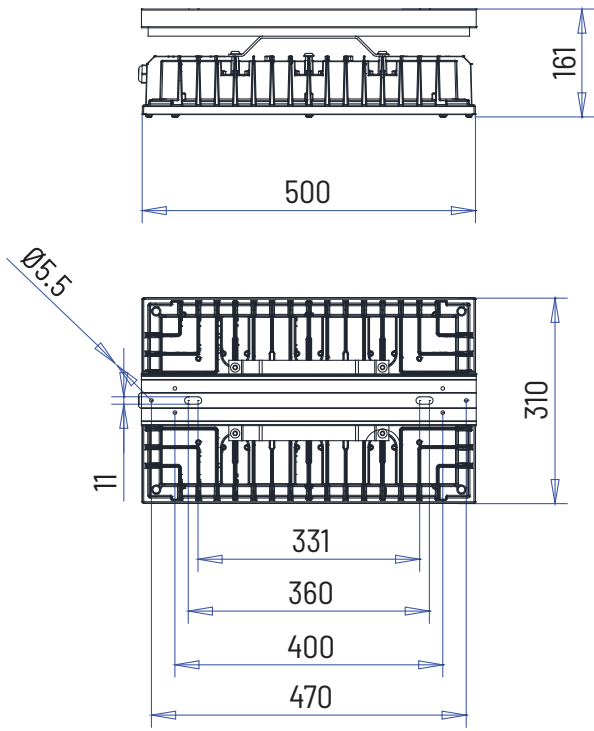
QPD system

4

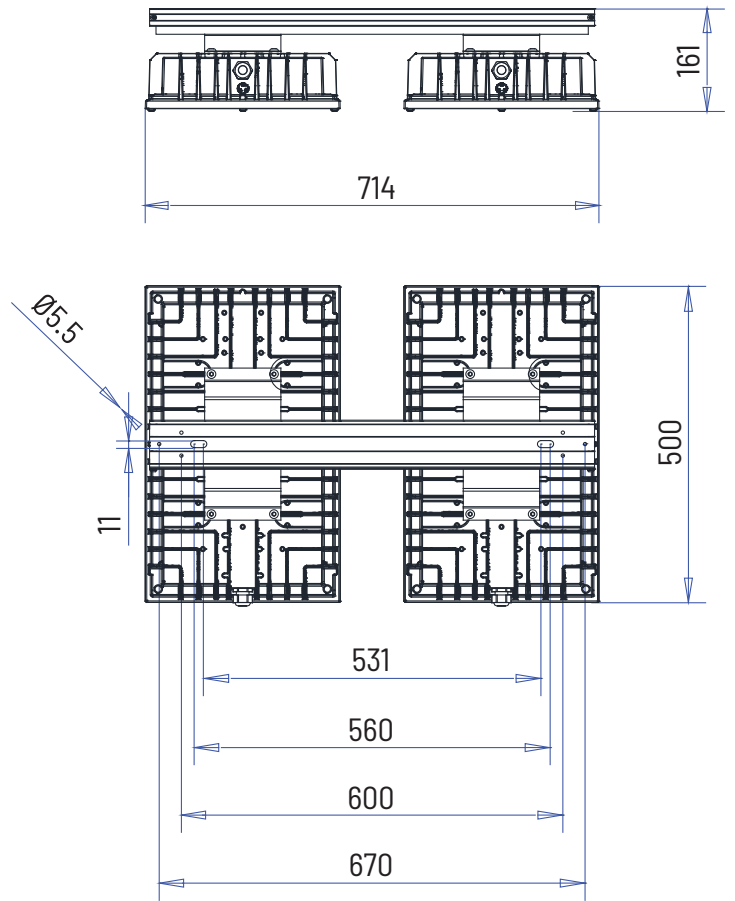
X

✓

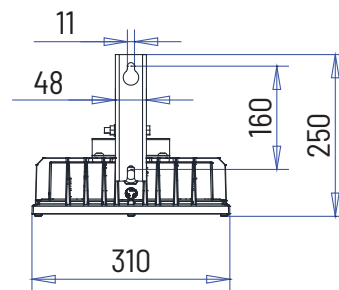
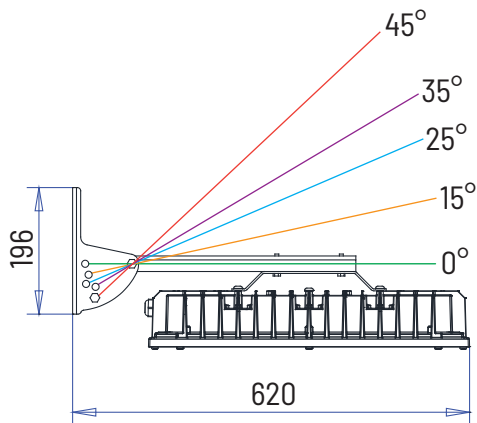
XENRE + X100



XENRE + X220



XENRE + X110



XENRE + X122

