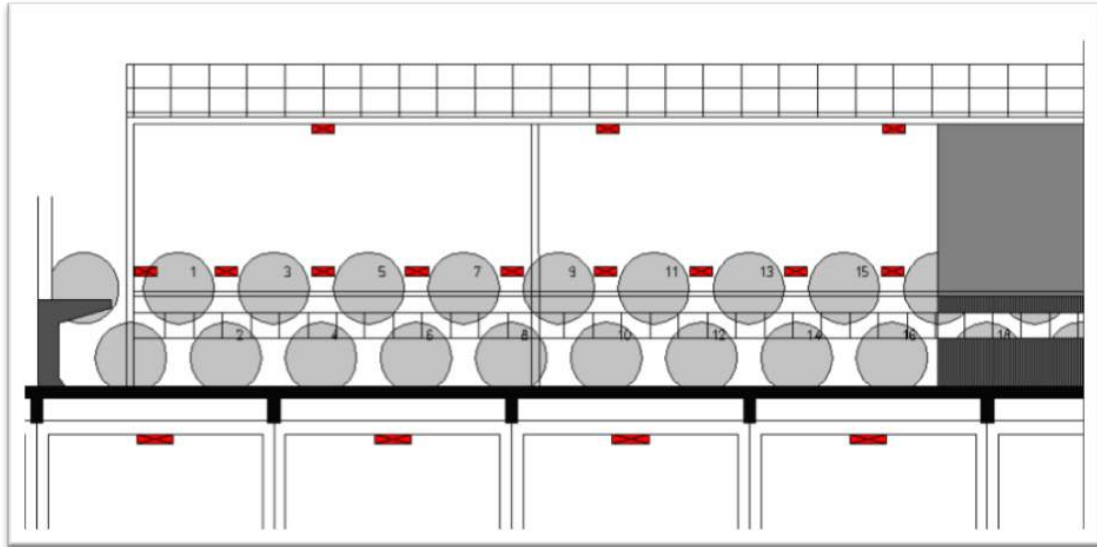




**LED LIGHTING SOLUTIONS FOR THE
PAPER AND PACKAGING INDUSTRY**

Paper machine hood



I-Valo HITE LED luminaires are mounted with alignment bars either on the steel constructions or on the hood wall above the lifting door. With the luminaires directed towards the paper web running between the drying cylinders, excellent illumination is guaranteed also in this demanding environment.

I-Valo HITE LED is a small, robust hood luminaire designed for extremely high ambient temperatures. The alignment bar makes this luminaire simple to install and align so as to optimise illumination for the paper web.



Ta +110°C

I-VALO HITE LED®



- Luminaire: 49.5 W, driver module for 4 x HITE LED: 198 W
- 5,900 lm
- Ta class:
 - +110°C (light module)
 - +45°C (control module)
- Update option, i.e. LED modules and drivers can be replaced!





Waste paper storage facility

I-Valo DAVI luminaires feature a smooth surface without cooling fins, making it easy to remove any dust that might otherwise settle! These luminaires are available with a glass, acrylic or PC cover and different light distributions as required.

I-VALO DAVI®



- 31 W...156 W
- 4,400 lm...27,500 lm
- Ta class +35°C...+60°C
- Cover: Glass, acrylic, PC
- Efficient filters
- Update option!





PM hall, ground floor

I-Valo DAVI luminaires offer an excellent solution for illuminating long aisles on the ground floor of a PM hall, as well as for the areas around all the necessary containers and equipment. The luminaire comes in several wattages and can be directly mounted on the ceiling, luminaire rail or cable rack using the holes on the luminaire profile.

I-VALO DAVI®



- 31 W...156 W
- 4,400 lm...27,500 lm
- Ta class +35°C...+60°C
- Cover: Glass, acrylic, PC
- Efficient filters
- Update option!





I-VALO DAVI®

- 31 W...156 W
- 4,400 lm...27,500 lm
- Ta class +35°C...+60°C
- Cover: Glass, acrylic, PC
- Efficient filters
- Update option!



PM hall, core storage area
Finishing, lamination, etc.





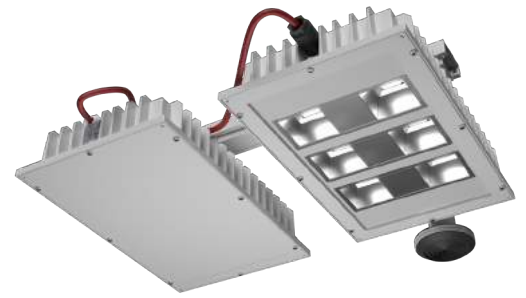
PM hall

I-VALO XENRE LED highbay luminaires provide customised illumination for the different areas of the paper machine hall, e.g. wire section, operator side of the paper machine, cross-cutter zone, etc.

The XENRE luminaire is designed for ambient temperatures of up to +80°C.

The polycarbonate cover also makes this luminaire suitable for use in production plants that manufacture tissue or packaging materials. A wide range of light distributions and mounting options ensure uniform lighting for the optimum result.

I-VALO XENRE®



- 85 W...289 W
- 12,200 lm...32,800 lm
- Ta class +40°C...+80°C
- Cover: Glass or PC

PM hall, heat recovery

Lighting the heat recovery on the mezzanine floor can be very challenging due to the high number of piping systems and machines.

However, thanks to their versatile brackets, I-Valo XENRE and DAVI luminaires meet the challenge by offering a tailor-made lighting solution even for this demanding application.





Paper reels - finished goods warehouse

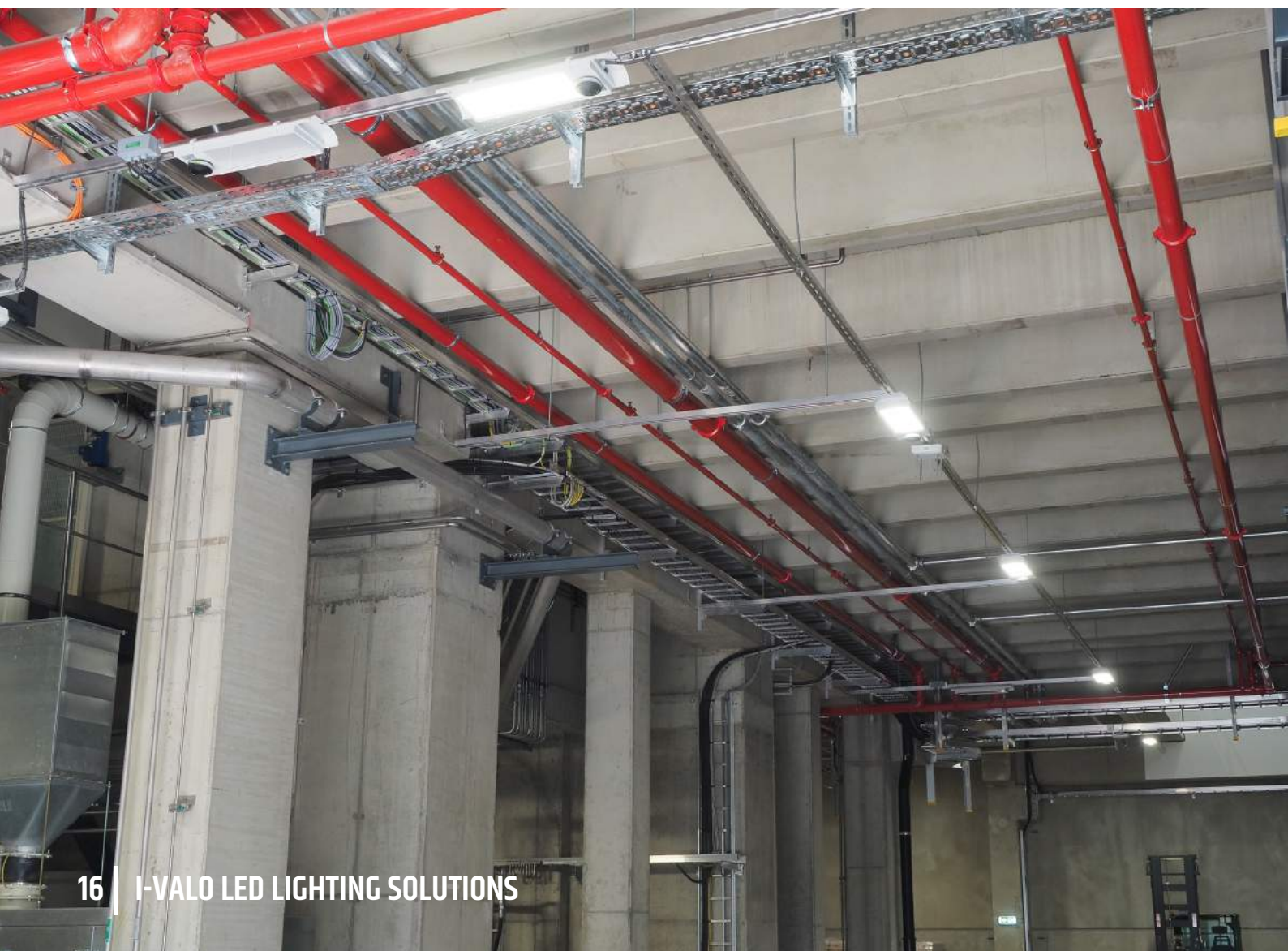
With their wide light distribution, XENRE luminaires ensure functional illumination for tall stacks of paper reels.

I-VALO XENRE®



- 85 W...236 W
- 12,200 lm...31,400 lm
- Ta class +40°C...+60°C
- Cover: Glass or PC





Dispatch warehouse, railway loading

Both the XENRE highbay luminaires and the DAVI luminaires are suitable lighting solutions for storerooms and loading stations.

I-VALO DAVI®



- 31 W...156 W
- 4,400 lm...27,500 lm
- Ta class +35°C...+60°C
- Cover: Glass, acrylic, PC
- Efficient filters
- Update option!





Special solutions

I-Valo offers a wide range of solutions for special applications, customised to individual needs. In the picture above, DORA LED luminaires provide wide light distribution with an anti-glare film to ensure uniform lighting of the paper web. XENRE LED luminaires with wide light distribution are also used to illuminate the paper web.



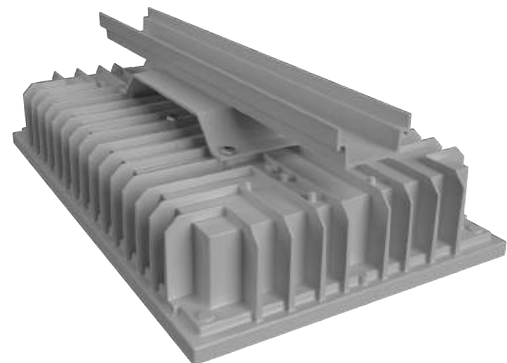
Wichtig!
Das Klammern über die Steckdose
und danach einstecken.
Folgen Sie den
Anweisungen
des Herstellers.

Halving energy consumption!

Are you still using I-VALO highbay 250 W-400 W luminaires with discharge lamps? You can now replace them with efficient XENRE LED luminaires without the need to change the existing luminaire positions!



XENRE LED is available with an adapter for mounting on the existing installation rail!

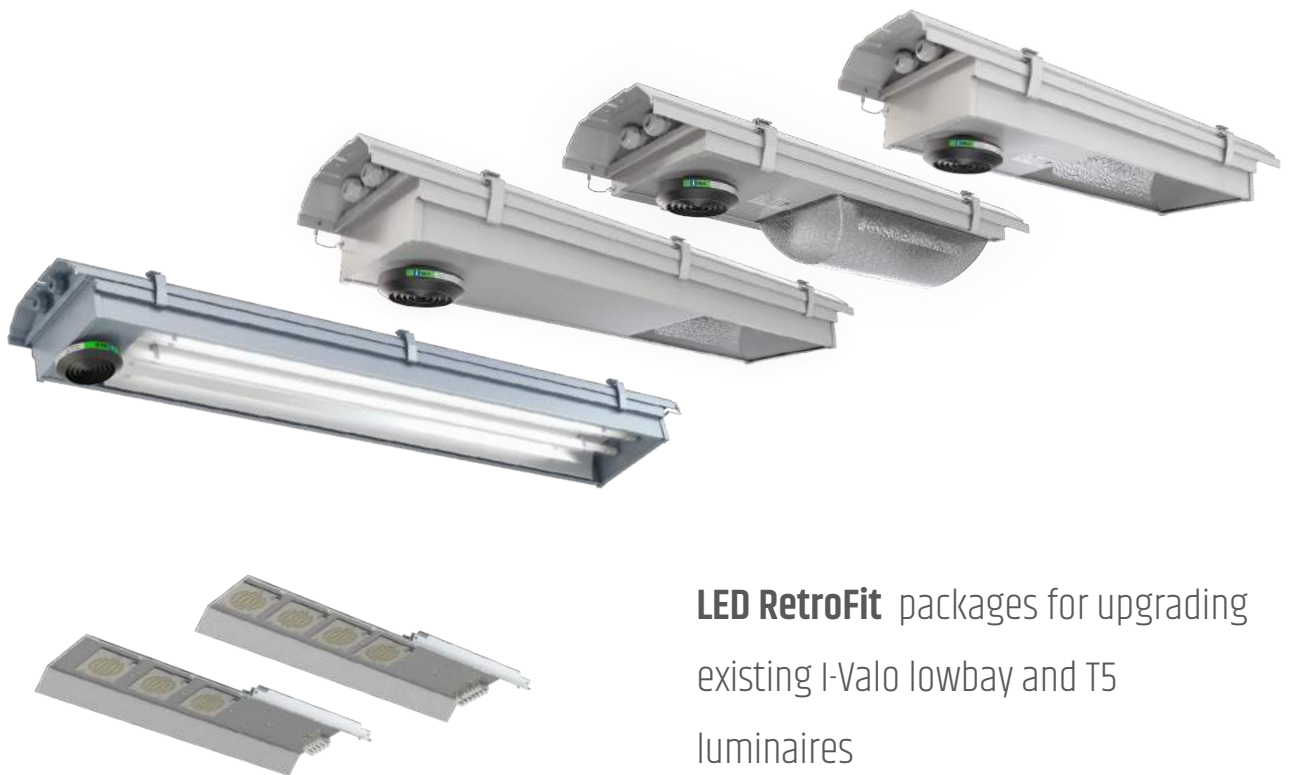


You can find out how to do this on I-Valo's YouTube channel.



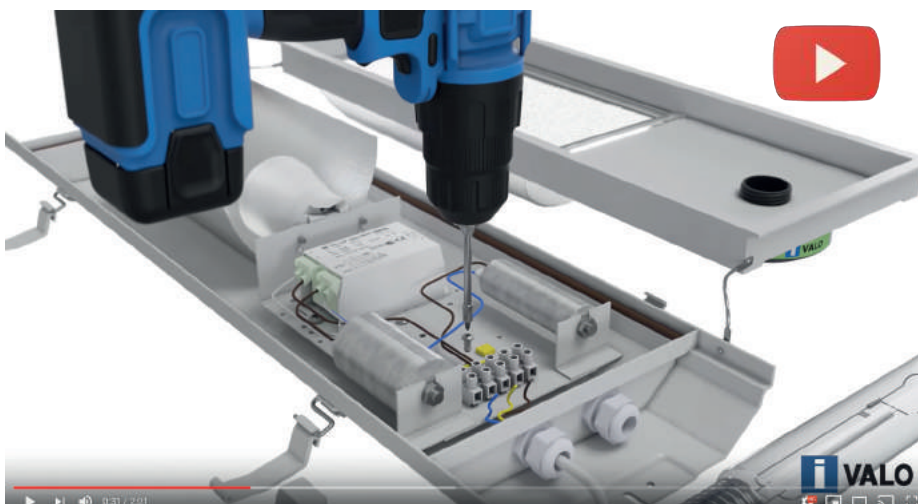
Halving energy consumption!

Are you still using I-VALO 70 W-250 W lowbay luminaires with discharge lamps or fluorescent luminaires with T5 fluorescent tubes? You can now replace them with the efficient LED upgrade packages without changing the existing luminaire positions!



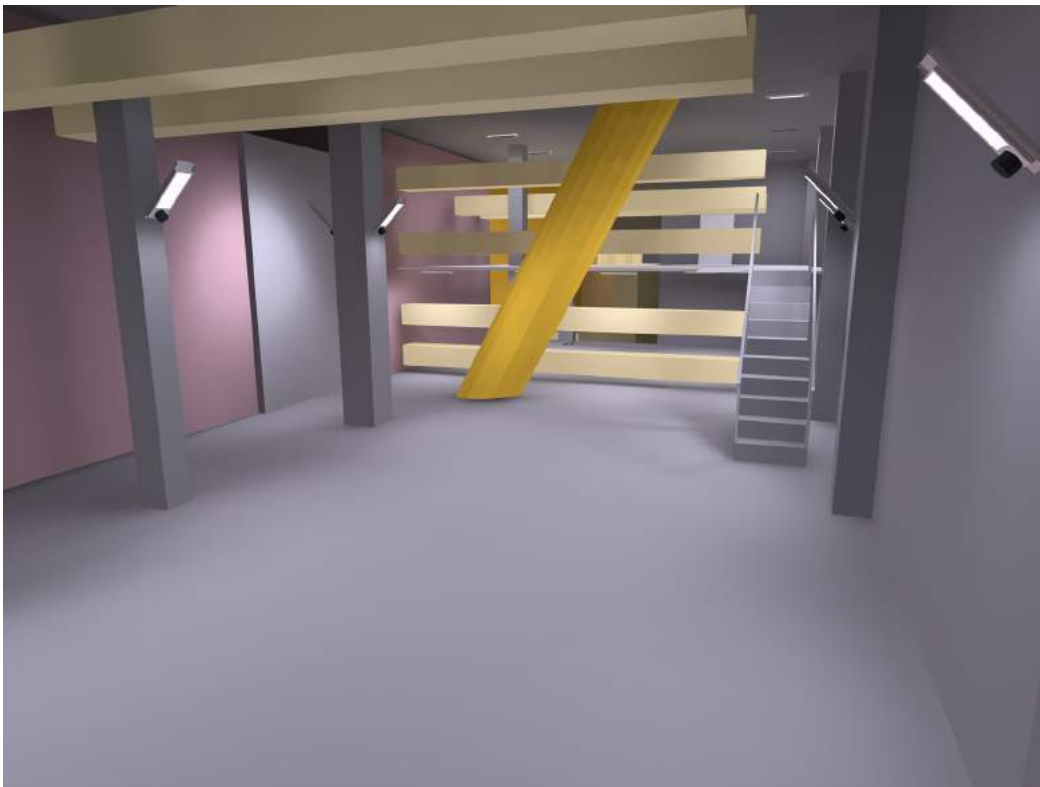
LED RetroFit packages for upgrading existing I-Valo lowbay and T5 luminaires

You can find out how to do this on I-Valo's YouTube channel.

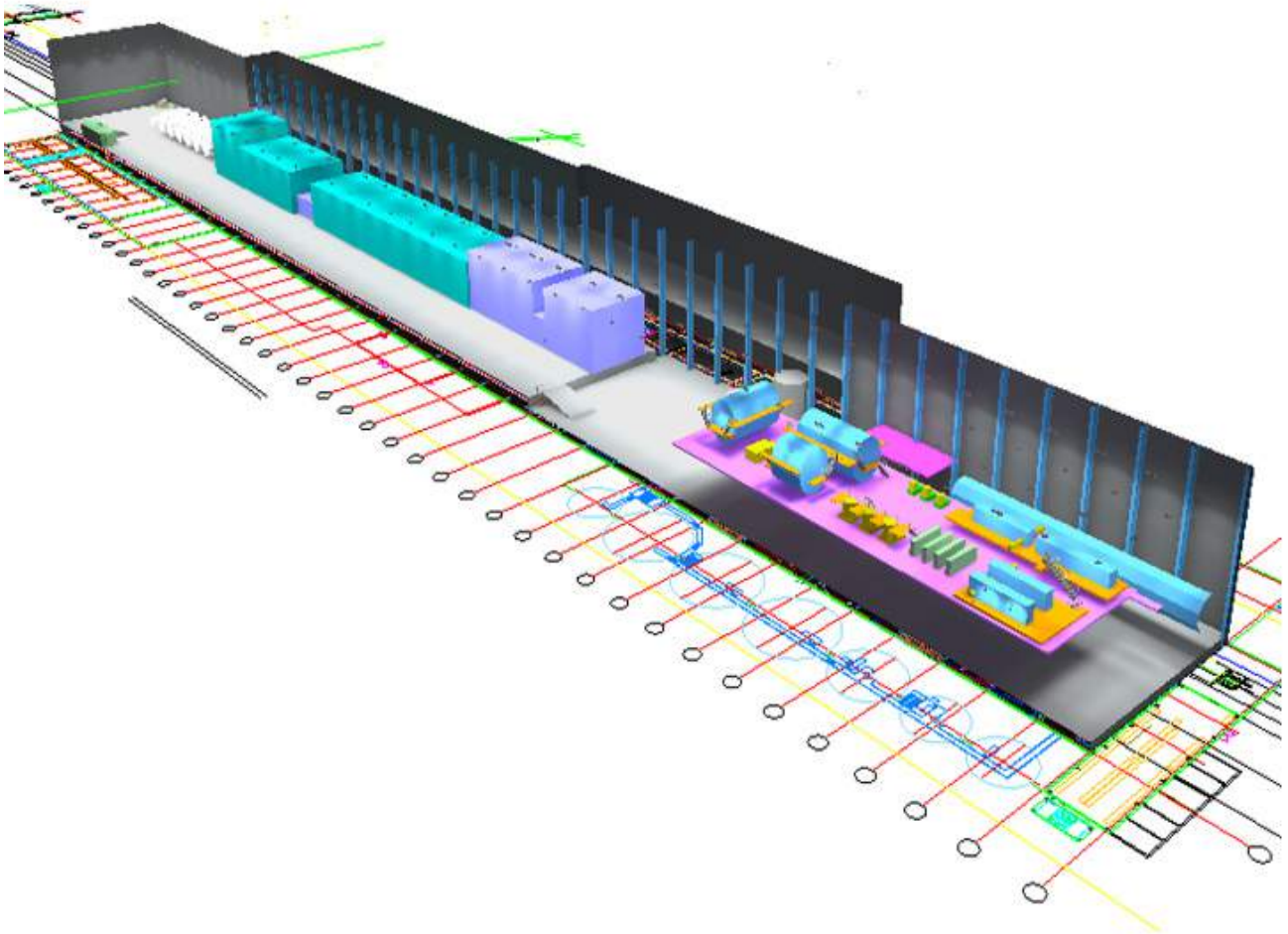


Lighting design

For an optimal lighting design, designers have to be familiar with the various locations and processes in the different departments of the company. Staff at I-Valo have extensive experience in dealing with all kinds of demanding lighting design projects, for both indoor and outdoor spaces.



Lighting design



Whether comparing future and existing lighting systems or illuminating new manufacturing areas, we'll provide the most suitable lighting plans for you!



14500 Iittala, FINLAND
Tel. +358 (0)10 501 3000
info@i-valo.com
www.i-valo.com