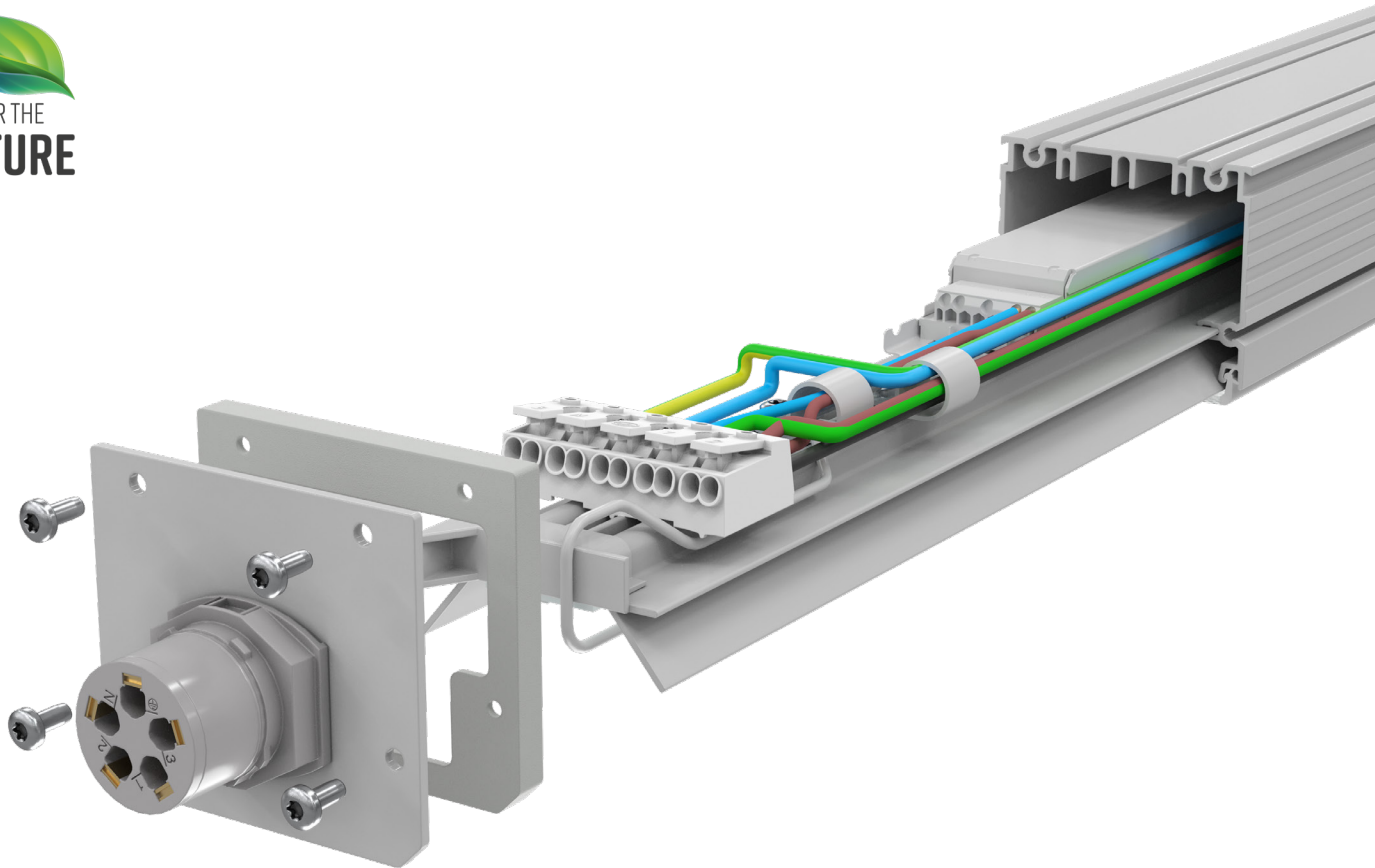


LINEAR LED LUMINAIRE
I-VALO ARVO®



Linear LED luminaire with replaceable technology package

ARVO is a versatile luminaire that is ideal for both new builds and renovation projects. It is the ideal replacement for obsolete T5 and T8 fluorescent lamps. The luminaire can be used in a wide range of spaces, including industrial production, as well as assembly and logistics facilities. Its innovative technology package is easily replaceable by removing the luminaire end plate (Fit for the Future product). The body is made of 50% recycled anodised aluminium profile.

Micro prismatic acrylic sheet (PMMA) provides excellent glare control and uniform light quality. In addition, the luminaire is equipped with a PTFE filter that cleans the air entering the luminaire and ensures that the LED chips and optics remain clean. This means that the light output remains consistently excellent for a long time.

The product is available in two different lengths and installation is very quick and easy thanks to the Phoenix Contact IPD quick connector. Mounting brackets are included in the delivery.

Technical specifications

I-VALO GUARANTEES PERFORMANCE VALUES OF THE LUMINAIRE WITHIN THE SPECIFIED TA TEMPERATURE RANGE

Ta class	-20 °C...+50 °C
Wattage	34 W and 53 W
Luminous flux	5500 lm and 8500 lm @ Ta +50 °C 5750 lm and 8950 lm @ Ta +25 °C
Luminous efficacy	Up to 162 lm/W @ Ta +50 °C 169 lm/W @ Ta +25 °C
Energy class of the light source	A (≥210 lm/W)
Colour temperature	4000 K
Colour rendering index	CRI 80
MacAdam value	3 SDCM
Enclosure class	IP65
IK rating - impact resistance	IK07
D Class	Yes
Light distribution	Wide
Filter	PTFE (GORE)
Body material	Anodised aluminium
Cover material	Micro prismatic acrylic (PMMA)
Control	ON/OFF, DALI-2
Length	1200 mm and 1500 mm
Lifetime	L80 100 000 h
Warranty	5 years
Connections	Multiple connection options. Standard connections: <ul style="list-style-type: none">• Through-wiring 5x2.5 mm² with IPD panel connector, 3 phase, ON/OFF• Through-wiring 5x2.5 mm² with IPD panel connector, 1 phase, DALI-2• IPD panel connector 3x2.5 mm², ON/OFF• IPD panel connector 5x2.5 mm², DALI-2

ARVO Luminaire's Luminous Efficiency is a Light Revolution

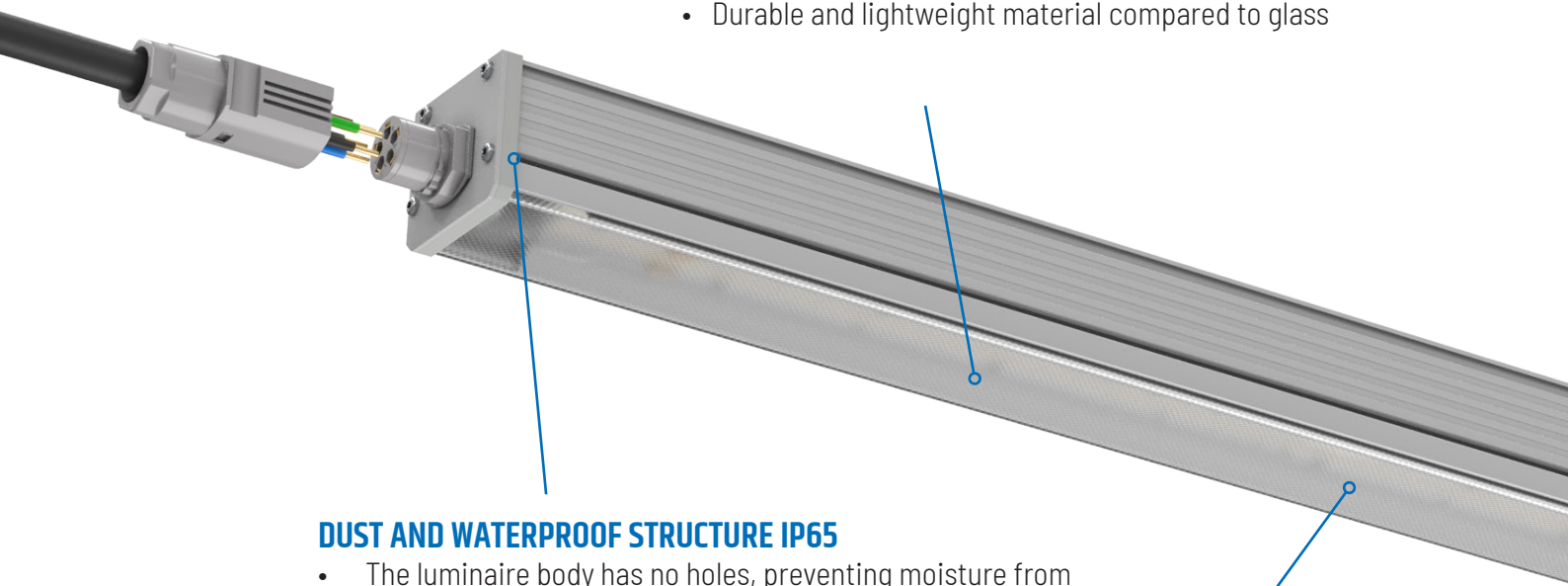


ASTONISHING LUMINOUS EFFICACY

- High-quality LEDs
- Luminous efficacy of the luminaire up to 169 lm/W @ Ta +25 °C
- Light source energy class A

EXCELLENT GLARE CONTROL AND OPTICAL PERFORMANCE

- Micro prismatic acrylic profile (PMMA)
- High impact-resistant special acrylic (PMMA 100% impact resistant) with excellent optical properties
- Consistent, pleasant and glare-free light quality even at low installation heights
- Outstanding UV resistance
- Excellent resistance to scratching
- Also suitable for the food and pharmaceutical industry
- Durable and lightweight material compared to glass

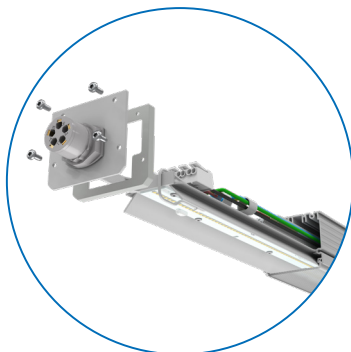


DUST AND WATERPROOF STRUCTURE IP65

- The luminaire body has no holes, preventing moisture from entering the luminaire under any circumstances
- The luminaire end cap and gasket are secured to the body with four screws, the heads of which penetrate into an external groove in the body

HIGH-QUALITY ALTERNATIVE TO FLUORESCENT TUBE LUMINAIRES

- Perfectly suited as a replacement for discontinued fluorescent tube lights (T5 and T8)



REPLACEABLE TECHNICAL PACKAGE

- The luminaire's technical package can easily be replaced when needed
- The package includes a reflector plate, LED chips and a driver
- The diffuser does not need to be removed for replacement
- A responsible choice: the luminaire body and diffuser can be retained, reducing the carbon footprint

Up to 169 lm/W

@ Ta +25 °C

ROBUST AND DURABLE LUMINAIRE BODY

- The body is made from 50% recycled anodised aluminium profile
- Anodising enhances the hardness and durability of the aluminium surface. The luminaire body withstands scratches, abrasion and other mechanical damage more effectively
- Anodising creates a protective oxide layer, offering excellent protection against corrosion and oxidation. This is crucial in industrial environments where the luminaire may be exposed to moisture and chemicals.
- The anodising process employs fewer harmful chemicals compared to several other surface treatment methods
- The anodised surface exhibits good thermal conductivity, which ensures efficient cooling and extended luminaire life.

VERSATILE CONNECTION OPTIONS

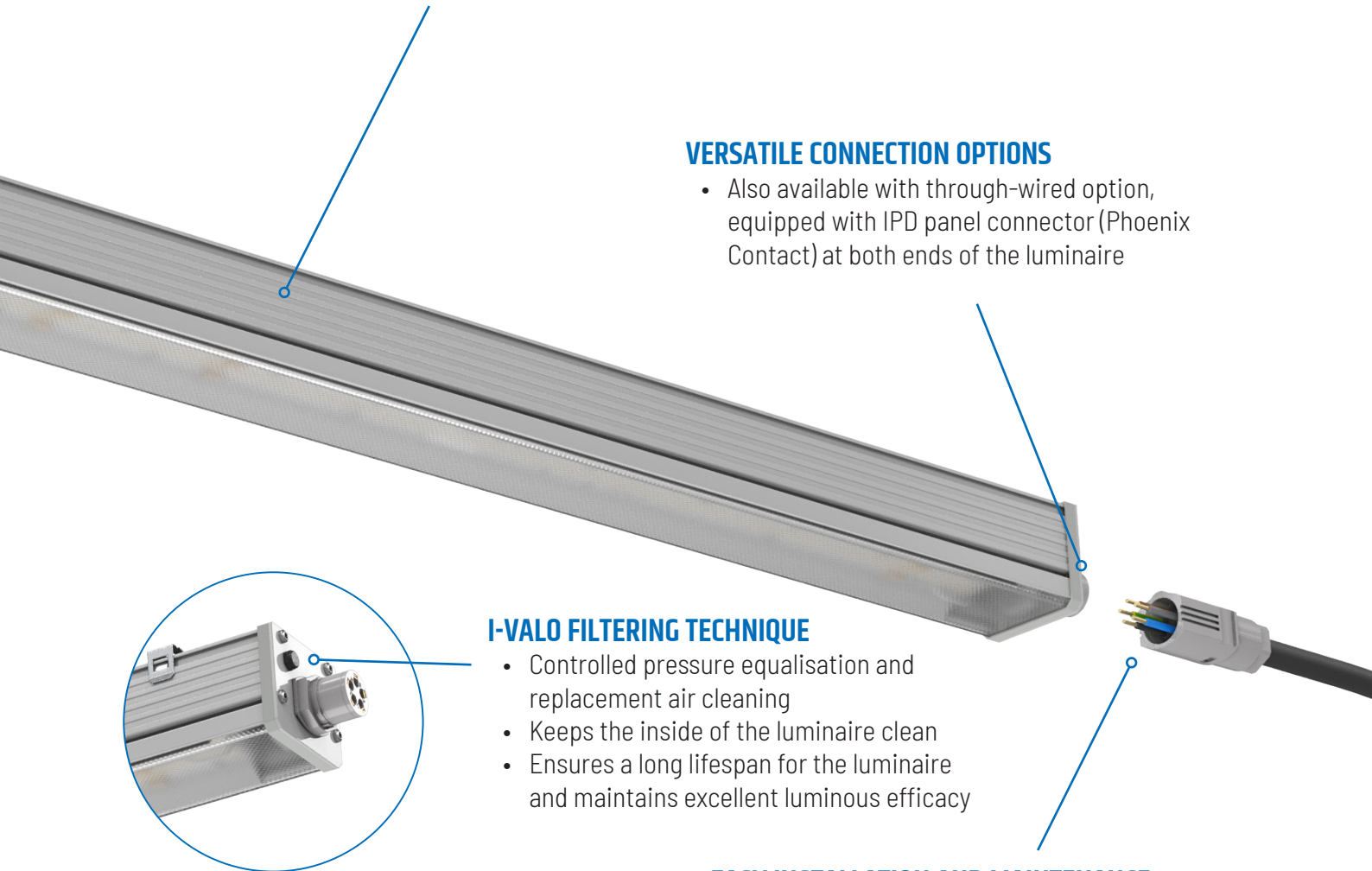
- Also available with through-wired option, equipped with IPD panel connector (Phoenix Contact) at both ends of the luminaire

I-VALO FILTERING TECHNIQUE

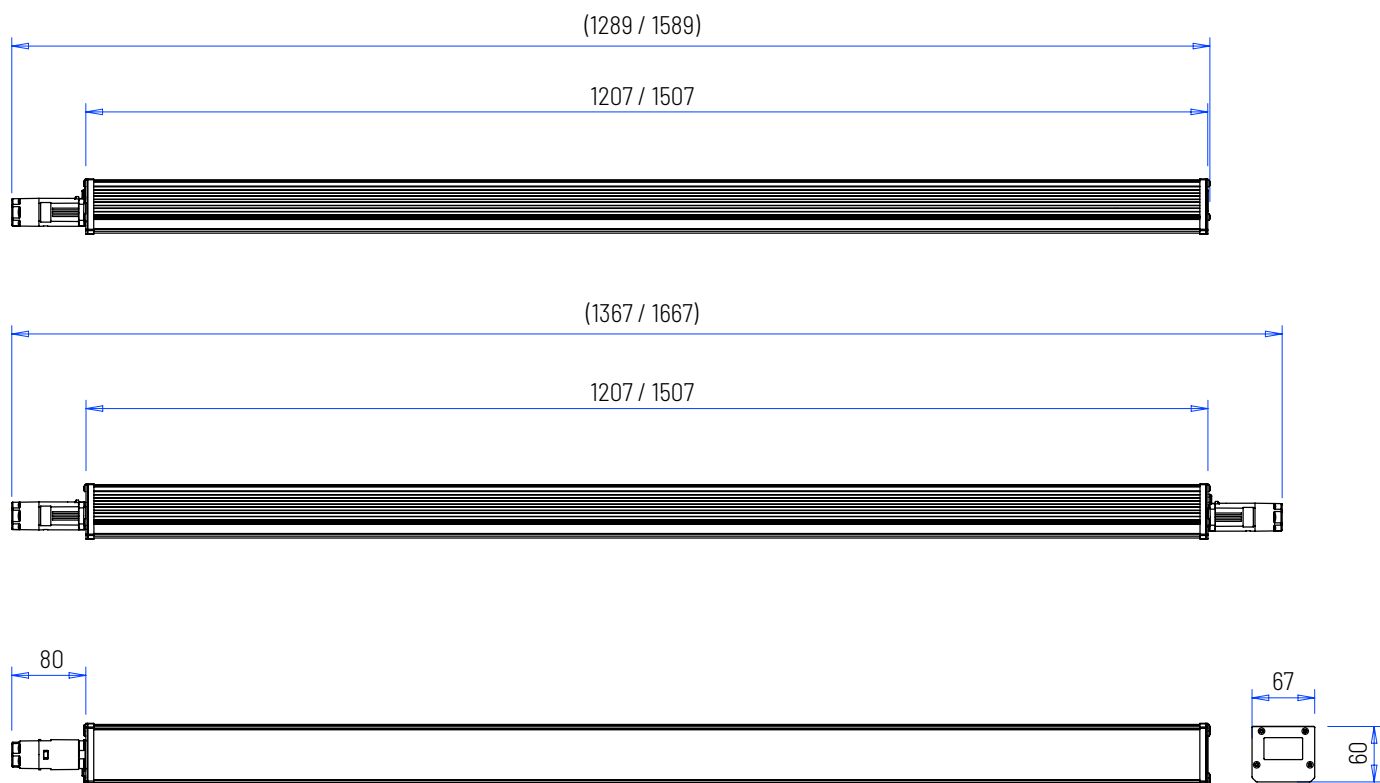
- Controlled pressure equalisation and replacement air cleaning
- Keeps the inside of the luminaire clean
- Ensures a long lifespan for the luminaire and maintains excellent luminous efficacy

EASY INSTALLATION AND MAINTENANCE

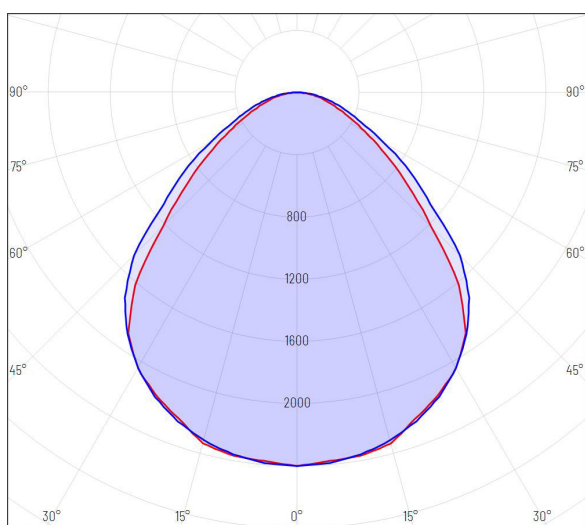
- The IPD panel connector (Phoenix Contact) makes installation and maintenance quick and easy, allowing for significant savings in installation and maintenance costs



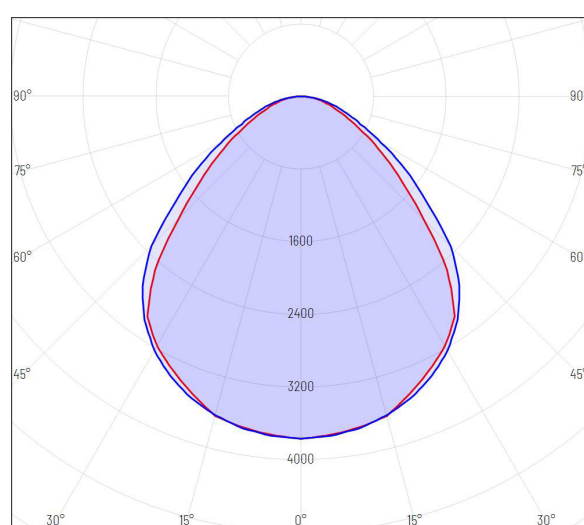
Dimensions



Light distribution



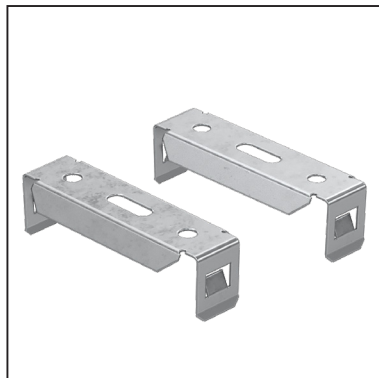
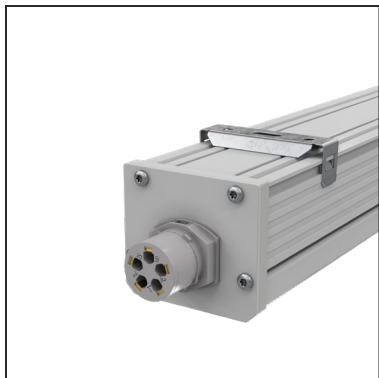
WIDE
PMMA
34 W - 1200 MM



WIDE
PMMA
53 W - 1500 MM

Mounting brackets

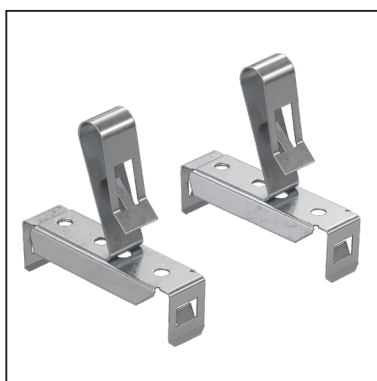
The luminaire is supplied with two basic brackets as standard. Alternative brackets can be ordered separately. Our sales and customer service will be happy to advise you on the different ordering options.



AB100

BASIC BRACKET

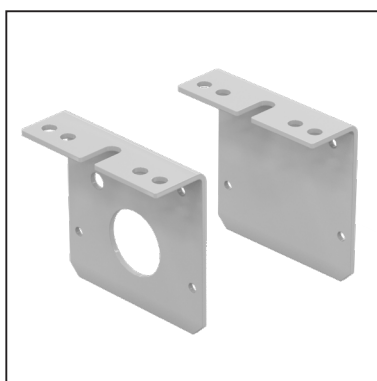
- Stainless steel
- Can be fixed directly to the ceiling surface or to a luminaire mounting rail
- Article number includes 2 brackets
- Included in standard delivery



AB110

WIRE SUSPENSION BRACKET

- Stainless steel
- Can be used, for example, in horizontal wire suspension or ceiling suspension
- Item number includes 2 brackets
- To be ordered separately



PROCESS BRACKET

- Anodised aluminium
- 2 brackets included in the construction of the luminaire
- Excellent choice for installations where vibrations may occur

Professional Lighting Design for Cost Efficiency

We provide an optimised lighting solution for your site, taking into account the conditions of the installation environment and any shadows caused by the process equipment. The professional design ensures that the right luminaire models and quantities are selected for the spaces to be illuminated.

Don't overpay and oversize when it comes to lighting. With efficient quality luminaires, you will make significant savings in purchasing, operating and maintenance costs! Our lighting design is free of charge.

Read more about lighting design and order a plan!



14500 Iittala, FINLAND
Tel. +358 (0)10 501 3000
info@i-valo.com

www.i-valo.com

10.05.2024